

U<sub>o</sub>-value of  
up to  
**0.47**  
W/(m<sup>2</sup>·K)



As standard for  
ThermoCarbon  
and ThermoSafe  
entrance doors



# Entrance Doors

ThermoCarbon, ThermoSafe, Thermo65, TopComfort

**HÖRMANN**





## CONTENT

- 6 Good reasons to try Hörmann
- 12 Hörmann brand quality
- 14 Programme overview
- 18 Security equipment
- 20 ThermoCarbon
- 32 ThermoSafe
- 60 Thermo65
- 72 TopComfort
- 78 Special equipment
- 92 Lock variants ThermoCarbon / ThermoSafe

The colours and surface finishes shown are subject to the limitations of the printing process and cannot be regarded as binding.

Some of the products and equipment details described and illustrated in this catalogue are not standard, but available for a surcharge.

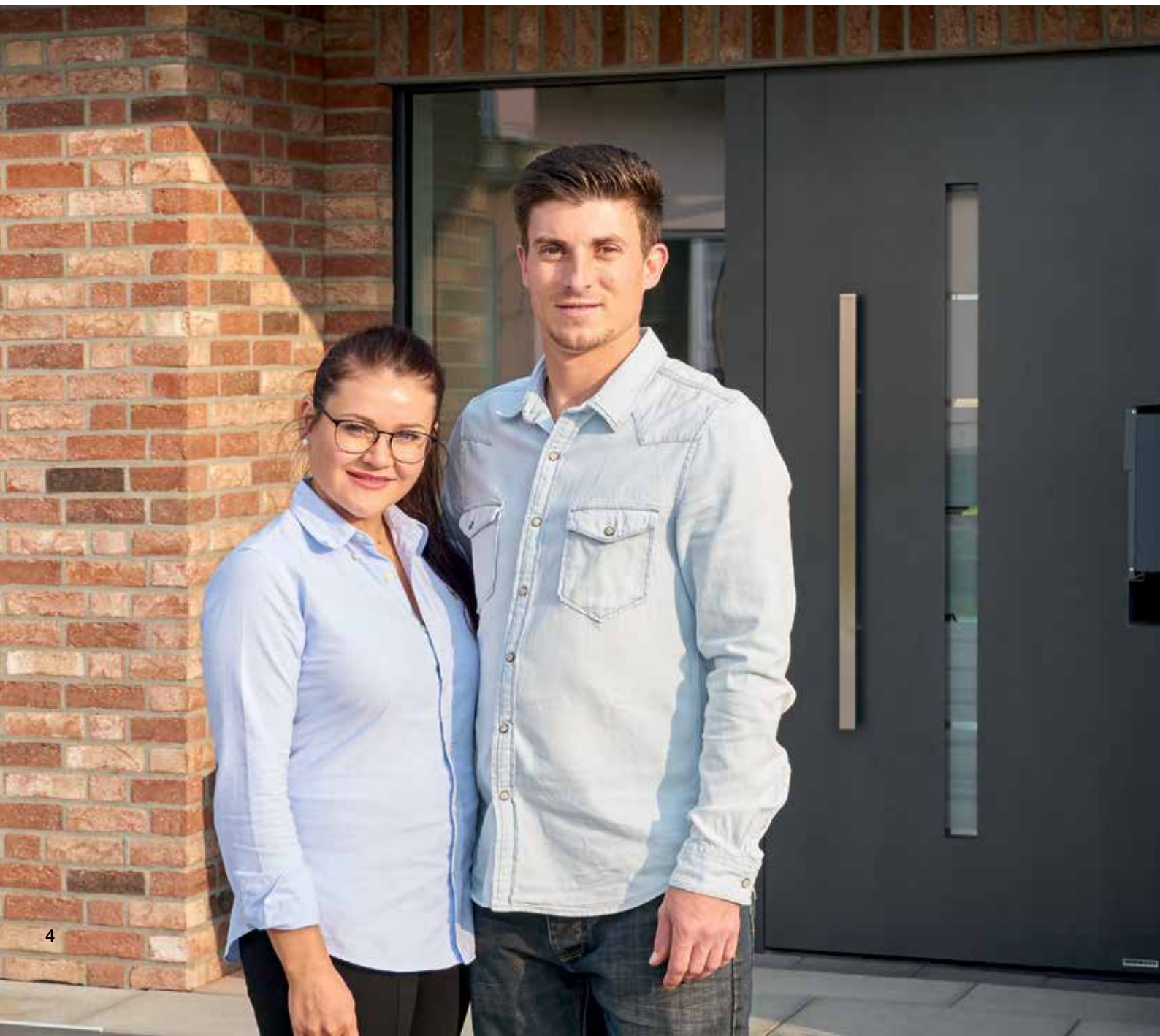
Descriptions and pictures, information about the scope of delivery, equipment and colour correspond to the time of printing.  
Subject to changes and errors.

All rights reserved. No part may be reproduced without our prior permission.

◀ **ThermoSafe style 860** in the standard colour Traffic white RAL 9016, matt, with side elements

## Which entrance door is the right one for us?

An integral feature of every house, the entrance door serves as the signature of your home. But while appearance seems the most crucial aspect, performance is just as essential, including break-in resistance and thermal insulation. Find out here what you need to consider when buying an entrance door.





Timber door



Aluminium entrance door

## The entrance door as the signature of your home

An entrance door needs to fit in with the overall look of the house. Construction materials available today offer a wide range of design possibilities. The most commonly used materials for entrance doors are plastic, aluminium, steel and timber.

## Comparisons of entrance doors

Timber doors require a lot of maintenance to ensure that this natural product can withstand all types of weather, meaning they need constant polishing and painting. However, their very nature provides good insulating properties. And of course, as a natural product, they are environmentally sound.

In contrast, plastic doors are relatively inexpensive and provide good thermal insulation. They are low maintenance, however they can discolour over time through exposure to light. A steel core is essential to prevent them from becoming warped.

Steel entrance doors are mid-range in terms of price and are very sturdy. **Depending on the design, the material offers good break-in resistance**, while its galvanized and painted surface also resists any type of weather. While somewhat more expensive, aluminium entrance doors also offer **more benefits**. With the right multi-chamber profile, aluminium doors provide **excellent insulation** and also meet stringent safety requirements. **Despite the doors' low weight, they are very sturdy and offer good acoustic insulation**. No more tedious repainting, with a wide range of accessories and equipment.

## Good insulation reduces costs

**When you are deciding on a new entrance door, there is more to consider than just safety and appearance – insulation is crucial.** Well-insulated doors save money in the long run, because they ensure that valuable heating energy stays indoors, where it belongs. For example, a letter slot in the door introduces draughts into the house and is a common way for heating to escape. Warmth can also be transferred outside through the entrance door when thin materials, insufficient infills and thermally conductive materials are used. The deciding factor is the door's thermal insulation value, also known as the  $U_D$ -value. The smaller this value, the better the thermal insulation. **Germany's energy saving regulation requires that entrance doors have a maximum U-value of  $1.8 \text{ W}/(\text{m}^2 \cdot \text{K})$ .**



Thermographic comparison of a residential building

“A good reputation must be earned.”

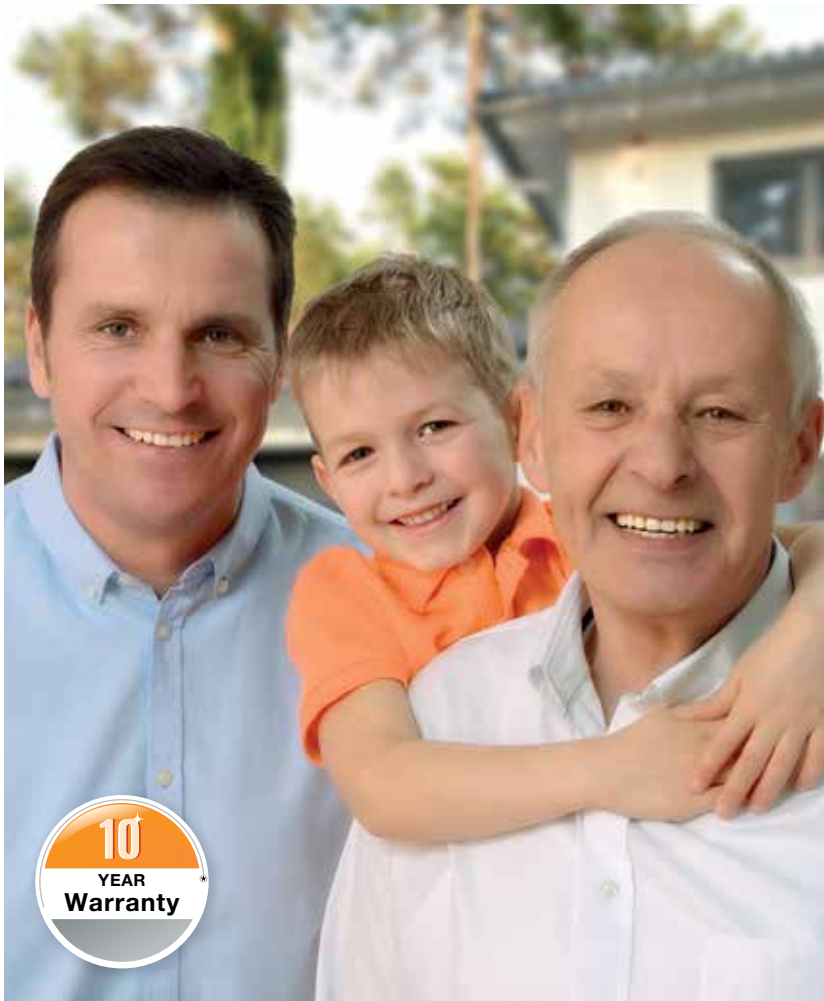
August Hörmann

In keeping with the tradition started by the company's founder, the name Hörmann delivers brand name quality with extensive product expertise. The family business has over 80 years of experience as a construction component specialist and sees itself as your partner from the very beginning of building and renovation projects. It's no surprise that Hörmann is one of Europe's most successful entrance door providers. All of this makes a Hörmann door a reassuring purchase.



## 1 Quality products from Germany

The entrance door construction is developed and manufactured by Hörmann. Our highly qualified employees work intensively on new products, continual further developments and improvements to details. Patents and unique products on the market are the result of this. Endurance tests under real conditions **ensure mature series products with Hörmann quality.**



## 2 Entrance doors for generations

We are convinced of our products and our uncompromising quality assurance. That is why we at Hörmann issue a **5-year guarantee\*** on **Thermo65 entrance doors** and even a **10-year guarantee\*** on **ThermoCarbon, ThermoSafe and TopComfort entrance doors**.

## 3 An eye on the future

Hörmann is setting a good example. That is why the company obtains **100 % of its required energy from green sources**. At the same time, many tonnes of CO<sub>2</sub> are saved each year thanks to the introduction of an intelligent and certified energy management system. And last but not least, Hörmann offers products for sustainable construction.

\* The complete warranty conditions can be found at: [www.hoermann.com](http://www.hoermann.com)



External view



Interior view

## 4 Door leaf without visible leaf profile

Our ThermoCarbon, ThermoSafe and Thermo65 entrance doors give you an exquisite and elegant reception. The shapely door leaf with its **solid interior and exterior and leaf profile** on the inside fulfils the highest design requirements. The interior view harmonises perfectly with your residential internal doors and looks particularly elegant with concealed hinges, which come as standard for ThermoCarbon and are optional for ThermoSafe entrance doors.

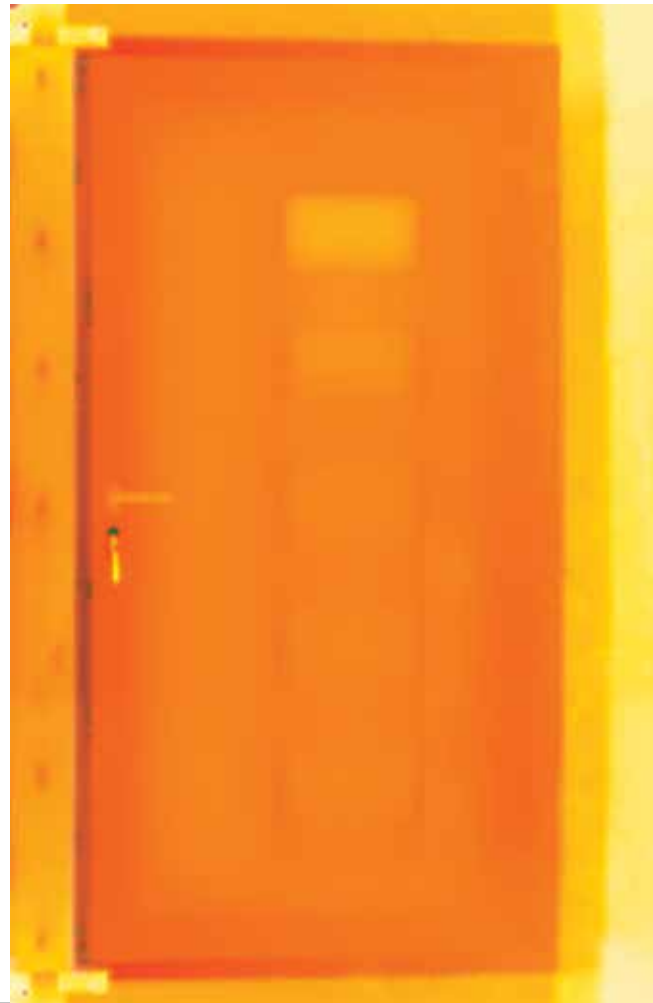


External view of entrance doors from other manufacturers with visible leaf profile



Interior view of entrance doors from other manufacturers with visible leaf profile and glazing beads





## 5 Excellent thermal insulation

ThermoCarbon aluminium entrance doors with a  $U_D$ -value of up to approx.  $0.47 \text{ W}/(\text{m}^2 \cdot \text{K})^*$

Our doors are the new generation of high-insulation entrance doors. With  $U_D$ -values up to approx.  $0.87 \text{ W}/(\text{m}^2 \cdot \text{K})$ , Thermo65 doors have excellent thermal insulation values. ThermoSafe entrance doors are also distinguished by their  $U_D$ -values of up to approx.  $0.87 \text{ W}/(\text{m}^2 \cdot \text{K})$ . Both door systems comply with all the requirements of Germany's energy saving regulation.



**Only from Hörmann**

No thermal bridges for glazings

For ThermoSafe and ThermoCarbon entrance doors with glazing, the door leaf is foamed together with the glazing and not beforehand, as is usually the case. **This patented solution means that we can achieve even better thermal insulation**, as the foam is optimally combined with the glazing to prevent thermal bridges.

\* Depending on the door size. Specified values for RAM 1250 x 2200 mm



## 6 Break-in-resistant security equipment



Only from Hörmann

RC 4 security equipment for ThermoCarbon entrance doors

Our entrance doors set new standards for security. **All ThermoSafe and ThermoCarbon entrance doors are available as standard with the break-in-resistant security class RC 3.** ThermoCarbon entrance doors are **at the top of their class** with optional security equipment RC 4. Thermo65 and TopComfort entrance doors are optionally available with RC 2 equipment. For further information, see pages 18 – 19.

Increased security doesn't mean that the door can't look good. **The break-in-resistant security equipment is not visible on the door**, unlike many competing solutions. That's brand quality from Hörmann!

## 7 Safe glazing



Only from Hörmann

As standard with 8 mm laminated safety glass on the interior and exterior

When it comes to industrial safety and burglar protection, Hörmann entrance doors fulfil the absolute highest demands. The laminated safety glass on the interior and exterior of the triple-pane insulated glazing provides **maximum security**. In case of breakage, the glass splinters are bound and stay adhered to the plastic film on the inside, virtually eliminating any danger of being injured by the shards. Furthermore, the laminated safety glass offers better protection against burglars as it makes reaching through more difficult.



## 8 Convenient opening aids

Fascinating and innovative technology that offers you more comfort: the Hörmann door operator ECTurn automatically opens your ThermoSafe and ThermoCarbon entrance doors. You can conveniently use the opening aids with Hörmann BiSecur hand transmitters or radio buttons. With the BiSecur app, you can query the status of your door at any time and from anywhere in the world. The ECTurn operator is also **ideally suited for barrier-free construction**. For further information, please see page 95.

## 9 Room-high entrance doors

ThermoSafe and ThermoCarbon entrance doors in XXL versions offer you **generously proportioned entrance designs** and increased comfort. ThermoSafe styles are available up to a height of 2500 mm, and ThermoCarbon styles even up to 3000 mm.

## Home begins at your door

We can feel at ease in many different places and in many different ways. In the city or in the country, surrounded by nature or by good friends. But there is a unique and unmistakable feeling that everybody experiences in their own way: the feeling of being at home, the moment they open the front door.

A Hörmann entrance door contributes its part to all the things that make a home, creating a sense of well-being, content and security. Take your time to browse our comprehensive programme – we're sure you will find the entrance door that best suits your taste and your home's architecture.





## Which door fulfils your requirements?

Discover the four entrance door versions from Europe's no. 1. Each one of them fulfils your personal requirements for an entrance door in its own way. However, they all have one thing in common: genuine Hörmann brand quality!

Aluminium and steel/aluminium entrance doors are superior to plastic or timber doors in many ways.

The advantages:

- High thermal insulation
- High security
- High acoustic insulation
- Great stability
- No follow-up painting necessary

Hörmann entrance doors look new even after many years, and also offer you a large variety of options with regard to technical equipment and design.



ThermoCarbon

$U_D$ -value up to  
approx.  
 $0.47 \text{ W}/(\text{m}^2 \cdot \text{K})^*$

Approved by IFT Rosenheim (Germany)

Premium class:  
ThermoCarbon



As standard

Our thermal insulation world champion, best-in-class for security for aluminium entrance doors, is distinguished by  $U_D$ -values of up to approx.  $0.47 \text{ W}/(\text{m}^2 \cdot \text{K})$ . It is also characterised by outstanding **standard RC 3 security equipment** with 9-point locking and a high-tech leaf profile made of carbon glass-fibre hybrid material. See the unique ThermoCarbon entrance doors for yourself, starting on page 20.

\* Depending on the door size. Specified values for RAM 1250 × 2200 mm

\*\* Depending on the door size. Specified values for RAM 1230 × 2180 mm

\*\*\* Depending on the door size. Specified values with special equipment thermal insulation kit for RAM 1230 × 2180 mm



ThermoSafe

U<sub>D</sub>-value up to approx.  
0.87 W/(m<sup>2</sup>·K)\*\*

Approved by IFT Rosenheim (Germany)



Thermo65

U<sub>D</sub>-value up to approx.  
0.87 W/(m<sup>2</sup>·K)\*\*

Approved by IFT Rosenheim (Germany)



TopComfort

U<sub>D</sub>-value up to approx.  
1.3 W/(m<sup>2</sup>·K)\*\*\*

Approved by IFT Rosenheim (Germany)

Top class:  
ThermoSafe



As standard

Especially high thermal insulation thanks to a 80-mm aluminium door frame with thermal break, **standard RC 3 security equipment** with a 5-point security lock and a choice of over 70 styles – these are only a few of the convincing arguments our ThermoSafe entrance door has to offer. For more details and to find your favourite style, see from page 32.

Mid-range:  
Thermo65

The Thermo65 entrance door with steel door leaf and aluminium frame offers good thermal insulation values and **high break-in-resistance** with a 5-point security lock. Last but not least, Thermo65 has an excellent price-performance ratio. For more information on Thermo65 and all styles and equipment options, see from page 60.

Comfort category:  
TopComfort

Are you looking for an **entrance area bathed in sunlight** with a glass entrance door that is well equipped in terms of thermal insulation and security? Then our TopComfort entrance door is just right for you. Choose your favourite from 9 glazing designs and a variety of ornamental glazings. For more information on TopComfort, see from page 72.

## Minimise the risk of break-ins

### Break-in-resistant windows and doors

First of all, secure windows and doors are absolutely essential. Most burglars gain entry to homes through windows and doors that are easy to prise open. For this reason, initiatives such as “Zuhause sicher” (Safe at home) from the German police recommend **adding RC 2 or even RC 3 security equipment to these weak points, depending on the security risk.** An RC 3-approved entrance door, for example, must be able to withstand a break-in attempt for at least five minutes with specific tools. **If a break-in attempt takes longer than three to five minutes, the unwanted guests usually abandon their plans** and try their luck with the next house. Side elements and transom lights should also comply with the resistance class. Don't forget: always lock your door when you leave the house. Most insurance policies do not pay out if the door is unlocked.

### Do not provide any assistance

**It is important to ensure you do not offer potential burglars any assistance** by making your windows easier to access. This includes outdoor tables, chairs or benches that can be used for climbing. Make sure you store these in your house or garage before going away for longer periods.

### Most break-ins occur during the daytime

**It is a fact that the majority of break-ins take place in daylight**, while you are taking your children to school, driving to work or going shopping. Holiday seasons mean the highest risk of break-ins. Burglars look for the smallest changes and signs that you are not at home. **There are a few tips and tricks to ensure you do not tempt burglars**, especially when you are away for longer periods: a well-known recommendation is to inform your neighbours and ask them to collect your post. When the letter box is not cleared regularly, this is an obvious sign that no one is home. In the same way, make sure that your blinds are not shut for the entire time you are away. You can buy different devices that help to simulate your presence at home. For example, there are lights that replicate the flickering of a television and make it look as if someone is at home. Timers that control lights and movement of blinds are also recommended for longer absences. You can also use alarm and video monitoring systems to scare away potential burglars.



Image on right:  
Break-in tools  
according to the RC 3  
security class



A burglary takes place every three minutes in Germany and around 85 percent of all break-ins are never resolved. There are some things you can do to minimise your risk of being burgled.





# We protect you from unwanted visitors

Over the past few years, the number of burglaries has greatly increased, making it even more important to equip your entrance door with a high security standard. If a burglar is not successful within approx. 3 – 5 minutes, they generally give up their break-in attempt. For this reason, nearly half of all break-in attempts fail if the entrance door is break-in-resistant.

## As standard for all ThermoCarbon and ThermoSafe entrance doors, optionally for side elements and transom lights

Burglar description according to DIN EN 1627:

The burglar attempts to break open the door using two screwdrivers, pliers, wedges, a crowbar and a simple drilling tool.

Resistance time: 5 minutes



## Optionally for all Thermo65 and TopComfort entrance doors, side elements and transom lights

Burglar description according to DIN EN 1627:

The opportunist burglar attempts to break open the locked door with a screw driver, pliers and wedges.

Resistance time: 3 minutes



## Optionally for all ThermoCarbon entrance doors

Burglar description according to DIN EN 1627:

In addition to screw drivers, pliers, wedges, a crowbar and a simple drilling tool, experienced burglars also use saws and striking tools such as axes, chisels, hammers, and cordless drills.

Resistance time: 10 minutes





## Thermal insulation world champion and best-in-class for security

Our aim was to create an entrance door that exceeds your requirements for security, thermal insulation, technical equipment and design. We have succeeded with the premium ThermoCarbon entrance door. With  $U_D$ -values up to  $0.47 \text{ W}/(\text{m}^2\cdot\text{K})$ , ThermoCarbon has earned its title as thermal insulation world champion, and with the optional RC 4 equipment, it is at the top of its class in terms of security for aluminium entrance doors. With its high-tech leaf profile made of carbon glass-fibre hybrid material, our premium entrance door is exceptionally impressive, offering a high degree of rigidity and impact resistance as well as improved acoustic insulation like none other.

The ThermoCarbon entrance door is available in a choice of 20 modern door styles and 18 preferred colours, and optionally in two colours on request. Of course, you can customise your entrance door even further with many other equipment options such as handles, glazings and lock variants.

## Construction

- 1 100 mm aluminium door leaf with PU rigid foam infill and internal leaf profile
- 2 Thermal break and high stability thanks to carbon glass-fibre reinforced composite leaf profile
- 3 111 mm aluminium door frame with thermal break
- 4 Triple sealing with two all-round seals

Suitable for fitting without thermal bridges

$U_D$ -value up to approx.  $0.47 \text{ W}/(\text{m}^2\cdot\text{K})$

$U_D$ -value of up to **0.47**  
 $\text{W}/(\text{m}^2\cdot\text{K})$

\* Break-in-resistant components are only effective in preventing burglaries when closed and locked, with the key removed

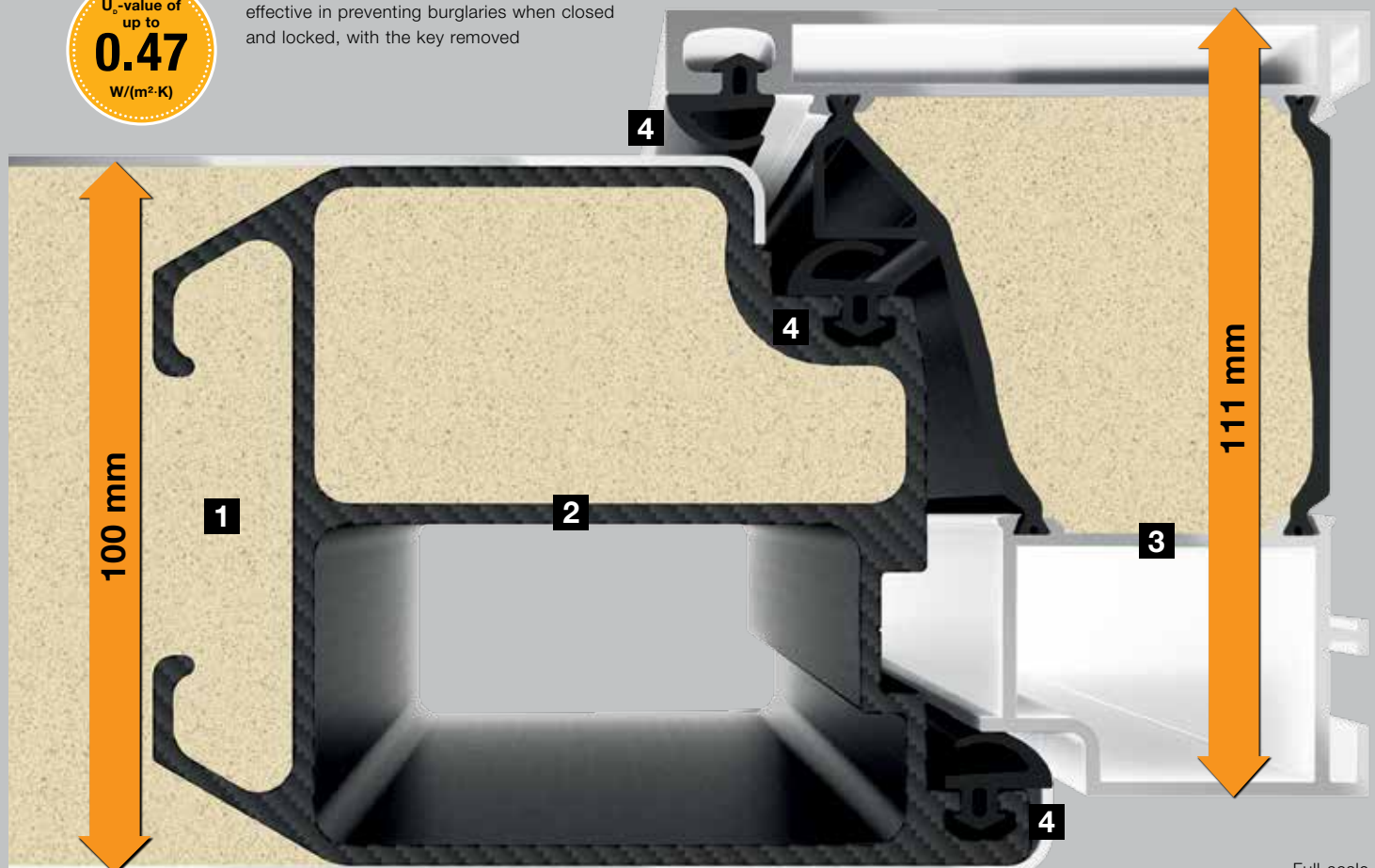
## Equipment

- 5 Solid door view from the inside, same as room doors
- 6 Concealed hinges incl. adjustable opening limiter with soft stop
- 7 Stainless steel lever handle
- 8 Quadruple thermal insulation glazing with safety glass on both sides
- 9 Profile cylinder protected against manipulation
- 10 **RC 3 security equipment\*** with 9-point security lock



As standard

Optional



# Interior view





**Style 189 ■ NEW**  
 Standard colour Traffic white RAL 9016, matt, stainless steel handle HOE 615, matt float design glass with 7 clear stripes



**Style 300**  
 Standard colour Traffic white RAL 9016, matt, handle bar in White aluminium RAL 9006, silk-gloss



**Style 301**  
 Standard colour Traffic white RAL 9016, matt, flush-fitting aluminium embellishment in Graphite black RAL 9011, handle bar in White aluminium RAL 9006, silk-gloss



**Style 302**  
 Standard colour Traffic white RAL 9016, matt, handle bar in White aluminium RAL 9006, silk-gloss



**Style 304**  
 Standard colour Traffic white RAL 9016, matt, silk-gloss, recessed grip in White aluminium RAL 9006, silk-gloss, flush-fitting stainless steel handle



**Style 305**  
 Standard colour Traffic white RAL 9016, matt, aluminium embellishment in Graphite black RAL 9011, flush-fitting stainless steel handle





**Style 306**

Standard colour Traffic white RAL 9016, matt, recessed grip in White aluminium RAL 9006, silk-gloss, flush-fitting stainless steel handle, matt float ornamental glass



**Style 308**

Standard colour Traffic white RAL 9016, matt, flush-fitting handle bar in White aluminium RAL 9006, silk-gloss



**Style 309**

Standard colour Traffic white RAL 9016, matt, flush-fitting handle bar in White aluminium RAL 9006, silk-gloss



**Style 310**

Standard colour Traffic white RAL 9016, matt, flush-fitting stainless steel handle, matt float ornamental glass



**Style 312**

Standard colour Traffic white RAL 9016, matt, flush-fitting handle bar in White aluminium RAL 9006, silk-gloss, matt float design glass



**Style 314**

Standard colour Traffic white RAL 9016, matt, flush-fitting stainless steel handle bar, matt float ornamental glass



26 ▲ ThermoCarbon style 308 in preferred Hörmann colour CH 703 Anthracite, fine structure matt, with side element



**Style 504 ■ NEW**

Standard colour Traffic white RAL 9016, matt, stainless steel handle HOE 500, matt float design glass with 5 clear stripes



**Style 565**

Standard colour Traffic white RAL 9016, matt, design handle G 760 in Hörmann colour CH 703 Anthracite, fine structure matt



**Style 568**

Standard colour Traffic white RAL 9016, matt, design handle G 750 in anodised aluminium E6 / EV 1



**Style 650**

Standard colour Traffic white RAL 9016, matt, stainless steel handle HOE 700, Pave white ornamental glass



**Style 680**

Standard colour Traffic white RAL 9016, matt, stainless steel handle HOE 700, Pave white ornamental glass



**Style 686**

Standard colour Traffic white RAL 9016, matt, stainless steel handle HOE 600, matt float design glass with 7 clear stripes



**Style 860**

Standard colour Traffic white RAL 9016, matt, stainless steel handle HOE 700



**Style 862 ■ NEW**

Standard colour Traffic white RAL 9016, matt, stainless steel handle HOE 620

# Find your favourite colour

Whether you prefer anthracite or white, red or green, smooth or textured – Hörmann offers you custom design possibilities for colours and surface finishes. As standard, entrance doors are delivered in inexpensive matt Traffic white RAL 9016. In addition to our 19 preferred colours, you will certainly find something to suit your taste in our selection of over 200 RAL colours. Would you like different colours on the inside and outside? That's no problem either. Simply contact your local Hörmann dealer to receive an individual consultation.



**Please note:**

All colours are based on RAL. The colours RAL 9007 and 9006 may differ. Dark colours should not be used for doors that are exposed to the sun.

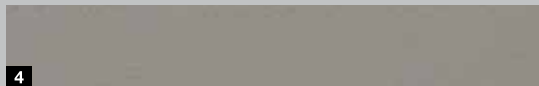
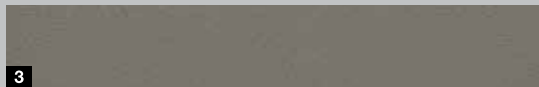
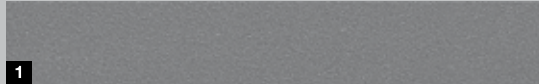
The colours and surfaces shown are subject to the limitations of the printing process and cannot be regarded as binding. Please consult with your local Hörmann specialised dealer.

Matt, silk-gloss and high-gloss surfaces



- 1 RAL 9016 Traffic white, high-gloss
- 2 RAL 9006 White aluminium, silk-gloss
- 3 RAL 8028 Terra brown, matt
- 4 RAL 7040 Window grey, matt
- 5 RAL 7035 Light grey, matt
- 6 RAL 7030 Stone grey, matt
- 7 RAL 7016 Anthracite grey, matt
- 8 RAL 7015 Slate grey, matt
- 9 RAL 6009 Fir green, matt
- 10 RAL 6005 Moss green, matt
- 11 RAL 3003 Ruby red, matt

## Textured surfaces



Design your door colour exactly as you wish, inside and outside

### Exterior and interior white

All Hörmann entrance doors in standard Traffic white, RAL 9016, are matt powder-coated on the inside and outside.

### Exterior coloured, interior white

The Hörmann entrance doors in 19 preferred colours (see left) are powder-coated in the preferred colour on the exterior and in matt Traffic white RAL 9016 on the interior as standard.

### Exterior and interior in a colour of your choice

On request you can have your new entrance door colour-coated on both sides; different combinations are also possible, e.g. Ruby red on the exterior and Slate grey on the interior.

- 1 RAL 9007 Grey aluminium, fine structure matt
- 2 RAL 9001 Cream, fine structure matt
- 3 RAL 7039 Quartz grey, fine structure matt
- 4 RAL 7030 Stone grey, fine structure matt
- 5 RAL 7016 Anthracite grey, fine structure matt
- 6 RAL 7015 Slate grey, fine structure matt
- 7 Hörmann colour CH 703 Anthracite, fine structure matt
- 8 Hörmann colour CH 607 Chestnut, fine structure matt

# Premium down to the last detail

## 1 Concealed hinges

The hinges of the ThermoCarbon entrance door are concealed between the door frame and leaf, i.e. they are not visible either from inside or outside: a visually elegant solution for your home. The door leaves can be simply and easily adjusted. This way, you can close your entrance door comfortably and securely at all times.

## 2 Profile cylinder protected against manipulation

The tamper-proof profile cylinder, certified in accordance with DIN EN 1303, features premium fittings: an anti-picking system, drill protection and an emergency and hazard function. This means that the door lock can still be operated when a key is inserted on the inside. 5 reversible keys are delivered with the door.

## Flush-mounted security rose escutcheon on exterior

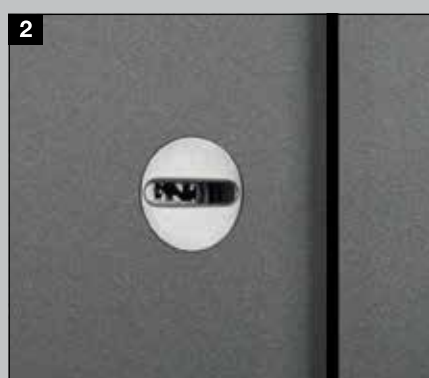
The stainless steel security rose escutcheon fits into the door leaf particularly elegantly, and also protects the profile cylinder against being drilled open. Please contact your Hörmann dealer if you wish to use your own cylinder systems.

## 3 Stainless steel interior lever

The elegant Caro stainless steel interior lever is standard for ThermoCarbon entrance doors.

## 4 Continuous stainless steel closing strip

The high-quality stainless steel closing strip is elegantly integrated into the door frame, which enables optimum adjustment of the door and allows for secure locking at all times.



**5 9-point security lock H9 and concealed hinges that cannot be forced open**

The ThermoCarbon comes with 9-point security. When locking, 5 steel swing bolts and 4 bolt locks pivot into the stainless steel lock plates. This top security protects your door with just one turn of a key. Doors in XXL version are supplied with the S7 automatic lock with 7-point locking as standard.

**Optional: break-in-resistant RC 4 security equipment**

The ThermoCarbon entrance doors quipped with RC 3 as standard are optionally available with excellent RC 4 security equipment for improved security. For further information, please see page 19.

**Flush-fitting exterior handles for exclusive door designs**

**6 Stainless steel handle with recessed grip**

Doors with a stainless steel handle come as standard with a recessed grip in the colour of the door.

**7 Continuous aluminium handle bar**

As standard, the complete handle bar is supplied in White aluminium, RAL 9006, silk-gloss, with a recessed grip in the colour of the door.

**8 Aluminium handle bar with recessed grip**

As standard, this handle bar comes in White aluminium, RAL 9006, silk-gloss, with a recessed grip in the colour of the door.

**Custom handle colours**

All flush-fitting exterior handles (except for stainless steel handles) are also available in several colour variants (see page 89 for more information).







## The perfect balance between comfort and security

Our ThermoSafe entrance door will convince you with its security and thermal insulation. Thanks to the solid 73-mm-thick aluminium door leaf with PU rigid foam infill and an aluminium leaf profile with thermal break on the inside, ThermoSafe entrance doors feature a  $U_D$ -value up to approx.  $0.87 \text{ W}/(\text{m}^2 \cdot \text{K})$ . The standard RC 3 security equipment with 5-point security lock gives you a comforting feeling of safety when you go to bed at night.

The appearance of the ThermoSafe also leaves nothing to be desired. With over 70 door designs, from classic to modern in 18 preferred colours, you are sure to find the door of your dreams. With optional equipment such as handles, glazings or innovative door operators, you can customise your door even further.



## Construction

- 1 Solid 73 mm aluminium door leaf with PU rigid foam infill and internal leaf profile
- 2 Aluminium leaf profile with thermal break
- 3 80 mm aluminium door frame with thermal break
- 4 Triple sealing with an all-round seal

Fulfills all requirements of Germany's energy saving regulation

Suitable for fitting without thermal bridges

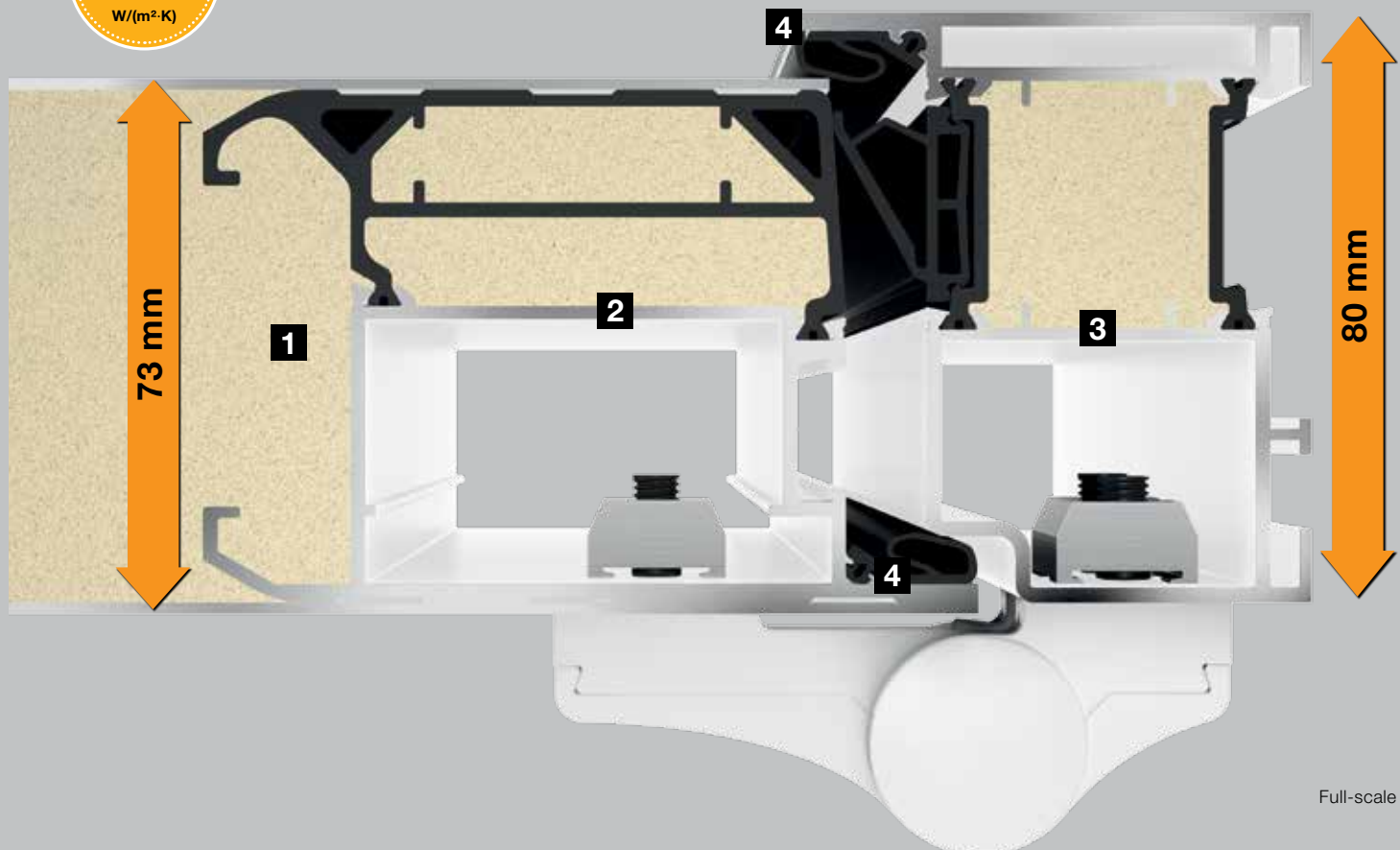
$U_D$ -value up to approx.  $0.87 \text{ W}/(\text{m}^2\cdot\text{K})$

## Equipment

- 5 Solid door view from the inside, same as room doors
- 6 3-way adjustable hinges
- 7 Aluminium interior lever
- 8 Triple thermal insulation glazing with safety glass on both sides
- 9 Profile cylinder protected against manipulation
- 10 **RC 3 security equipment as standard\*** with 5-point security lock
- 11 Security bolts

$U_c$ -value of up to **0.87**  
 $\text{W}/(\text{m}^2\cdot\text{K})$

\* Break-in-resistant components are only effective in preventing burglaries when closed and locked, with the key removed



# Interior view





**Style 40**  
Standard colour Traffic white RAL 9016, matt, stainless steel handle HOE 550, design glass partially matt



**Style 45**  
Standard colour Traffic white RAL 9016, matt, stainless steel handle HOE 200, matt Parsol grey design glass with 4 clear stripes



**Style 65**  
Standard colour Traffic white RAL 9016, matt, stainless steel handle HOE 600, matt float design glass with 7 clear stripes



**Style 75**  
Standard colour Traffic white RAL 9016, matt, stainless steel handle 38-1, Mastercarré ornamental glass



**Style 110**  
Standard colour Traffic white RAL 9016, matt, stainless steel handle 38-1, Pave white ornamental glass



**Style 136**  
Standard colour Traffic white RAL 9016, matt, stainless steel handle 38-1, Satinato design glass with 7 matt stripes



**Style 140**

Standard colour Traffic white RAL 9016, matt, stainless steel handle 38-1, stainless steel embellishment, Pave white ornamental glass



**Style 166**

Standard colour Traffic white RAL 9016, matt, stainless steel handle 38-1, stainless steel embellishment, Satinato design glass with 7 matt stripes



**Style 173**

Standard colour Traffic white RAL 9016, matt, stainless steel handle HOE 300, matt Stopsol grey design glass with 3 clear stripes



**Style 176**

Standard colour Traffic white RAL 9016, matt, stainless steel handle HOE 735, Satinato ornamental glass



**Style 177**

Standard colour Traffic white RAL 9016, matt, stainless steel handle HOE 700, Pave white ornamental glass



**Style 185**

Standard colour Traffic white RAL 9016, matt, stainless steel handle 38-2, Mastercarré white ornamental glass





**Style 188**

Standard colour Traffic white RAL 9016, matt, stainless steel handle HOE 100, matt float design glass with 3 clear stripes



**Style 189**

Standard colour Traffic white RAL 9016, matt, stainless steel handle HOE 615



**Style 402**

Standard colour Traffic white RAL 9016, matt, stainless steel handle 14-2, Reflo design glass, partially matt with genuine fluted glass



**Style 413**

Standard colour Traffic white RAL 9016, matt, stainless steel handle 14-2, Silk ornamental glass



**Style 449**

Standard colour Traffic white RAL 9016, matt, stainless steel handle 38-1, Reflo design glass with genuine fluted glass squares



**Style 501**

Standard colour Traffic white RAL 9016, matt, stainless steel handle HOE 500, Satinato glazing



**Style 502**  
Standard colour Traffic white RAL 9016, matt, stainless steel handle HOE 500, Satinato glazing



**Style 503**  
Standard colour Traffic white RAL 9016, matt, stainless steel handle HOE 500, matt float design glass with 7 clear horizontal stripes



**Style 504**  
Standard colour Traffic white RAL 9016, matt, stainless steel handle HOE 500, matt float design glass with 5 clear horizontal stripes



**Style 505**  
Preferred colour Light grey RAL 7035, matt, stainless steel handle HOE 500, matt float design glass with 4 clear stripes



**Style 514**  
Standard colour Traffic white RAL 9016, matt, design handle G 750 in White aluminium RAL 9006, silk-gloss, clear float glazing



**Style 515**  
Standard colour Traffic white RAL 9016, matt, stainless steel handle G 710, clear float glazing





**Style 524**

Standard colour Traffic white RAL 9016, matt, design handle G 750 in White aluminium RAL 9006, silk-gloss, clear float glazing



**Style 525**

Standard colour Traffic white RAL 9016, matt, design handle G 750 in White aluminium RAL 9006, silk-gloss, clear float glazing



**Style 551**

Standard colour Traffic white RAL 9016, matt, hand-finished stainless steel handle HOE 150, with fascia frame Rondo 70



**Style 552**

Standard colour Traffic white RAL 9016, matt, hand-finished stainless steel handle HOE 150, matt float design glass with clear stripes and red colour stripes



**Style 553**

Standard colour Traffic white RAL 9016, matt, aluminium handle 753 in silver, matt Reflo design glass with genuine fluted glass



**Style 554**

Standard colour Traffic white RAL 9016, matt, stainless steel handle HOE 730, 553 ornamental glass



**Style 555**  
Standard colour Traffic white RAL 9016, matt, stainless steel handle HOE 910, Reflo design glass with sand-blasted design



**Style 556**  
Standard colour Traffic white RAL 9016, matt, stainless steel handle HOE 550



**Style 557**  
Standard colour Traffic white RAL 9016, matt, stainless steel handle HOE 600



**Style 558**  
Standard colour Traffic white RAL 9016, matt, stainless steel handle HOE 910, Reflo design glass with genuine horizontal fluted glass



**Style 559**  
Standard colour Traffic white RAL 9016, matt, stainless steel handle HOE 200, design glass matt with 11 clear stripes



**Style 560**  
Standard colour Traffic white RAL 9016, matt, stainless steel handle HOE 600, design glass matt with 11 clear stripes



**Style 565**

Standard colour Traffic white RAL 9016, matt, design handle G 760 in anodised aluminium E6 / EV 1



**Style 568**

Standard colour Traffic white RAL 9016, matt, design handle G 750 in anodised aluminium E6 / EV 1



**Style 581**

Standard colour Traffic white RAL 9016, matt, stainless steel handle HOE 600, matt float design glass with clear stripes and red colour stripe



**Style 583**

Standard colour Traffic white RAL 9016, matt, colour embellishment in Graphite black RAL 9011, aluminium handle G 755, matt Reflo design glass with clear edge



**Style 585**

Standard colour Traffic white RAL 9016, matt, aluminium embellishment in Graphite black RAL 9011, fine structure matt, stainless steel handle HOE 950



**Style 590**

Standard colour Traffic white RAL 9016, matt, colour embellishment in Hörmann colour CH 703 Anthracite, design handle G 750, Reflo design glass with genuine fluted glass, with fascia frame Caro 70





**Style 596**

Standard colour Traffic white RAL 9016, matt, flush-fitting colour embellishment in Graphite black RAL 9011, stainless steel handle HOE 735, Satinato ornamental glass



**Style 650**

Standard colour Traffic white RAL 9016, matt, stainless steel handle HOE 700, Pave white ornamental glass



**Style 659**

Preferred colour Stone grey RAL 7030, matt, stainless steel handle 38-2, matt Parsol grey design glass with 7 clear stripes



**Style 667**

Standard colour Traffic white RAL 9016, matt, stainless steel handle HOE 910, matt Parsol grey design glass with 7 clear stripes



**Style 675**

Standard colour Traffic white RAL 9016, matt, stainless steel handle 38-1, Reflo design glass with genuine fluted glass



**Style 680**

Standard colour Traffic white RAL 9016, matt, stainless steel handle HOE 700, Pave white ornamental glass



**Style 686**

Standard colour Traffic white RAL 9016, matt, stainless steel handle HOE 600, stainless steel embellishment, matt float design glass with 7 clear stripes



**Style 689**

Standard colour Traffic white RAL 9016, matt, stainless steel handle 38-2, matt Parsol grey design glass with 7 clear stripes



**Style 693**

Standard colour Traffic white RAL 9016, matt, stainless steel handle HOE 300



**Style 694**

Standard colour Traffic white RAL 9016, matt, stainless steel handle HOE 700, Reflo design glass with genuine fluted glass



**Style 697**

Standard colour Traffic white RAL 9016, matt, stainless steel handle HOE 910, matt Parsol grey design glass with 7 clear stripes



**Style 723**

Standard colour Traffic white RAL 9016, matt, handle profile in White aluminium RAL 9006, fixing profiles in door colour, clear float ornamental glass



**Style 757**

Standard colour Traffic white RAL 9016, matt, stainless steel handle HOE 797, matt float design glass with clear stripes



**Style 759**

Standard colour Traffic white RAL 9016, matt, design handle G 750 in anodised aluminium E6 / EV 1, matt float design glass with clear stripes



**Style 762**

Standard colour Traffic white RAL 9016, matt, flush-fitting colour embellishment in Hörmann colour CH 703 Anthracite, fine structure matt, stainless steel handle HOE 735



**Style 771**

Standard colour Traffic white RAL 9016, matt, flush-fitting colour embellishment in Anthracite grey RAL 7016, matt, stainless steel handle HOE 735



**Style 777**

Standard colour Traffic white RAL 9016, matt, stainless steel handle HOE 610, matt float ornamental glass



**Style 779**

Standard colour Traffic white RAL 9016, matt, design handle G 750 in anodised aluminium E6 / EV 1, matt float ornamental glass







**Style 797**

Standard colour Traffic white RAL 9016, matt, stainless steel handle HOE 797, matt float ornamental glass



**Style 799**

Standard colour Traffic white RAL 9016, matt, design handle G 750 in anodised aluminium E6 / EV 1, matt float ornamental glass



**Style 823**

Standard colour Traffic white RAL 9016, matt, handle profile in White aluminium RAL 9006, fixing profiles in door colour



**Style 832**

Standard colour Traffic white RAL 9016, matt, stainless steel handle HOE 820, embellishment in Slate grey RAL 7015, with horizontal and vertical stainless steel pilaster strips



**Style 836**

Standard colour Traffic white RAL 9016, matt, stainless steel handle HOE 820, flush-fitting embellishment in Slate grey RAL 7015



**Style 860**

Standard colour Traffic white RAL 9016, matt, stainless steel handle HOE 700



**Style 861**

Standard colour Traffic white RAL 9016, matt, stainless steel handle HOE 700



**Style 862**

Standard colour Traffic white RAL 9016, matt, stainless steel handle HOE 620



**Style 867**

Standard colour Traffic white RAL 9016, matt, stainless steel handle HOE 620, matt float design glass with 7 clear stripes



**Style 871**

Standard colour Traffic white RAL 9016, matt, stainless steel handle HOE 620



**Style 872**

Standard colour Traffic white RAL 9016, matt, stainless steel handle HOE 615



**Style 877**

Standard colour Traffic white RAL 9016, matt, stainless steel handle HOE 610, matt float design glass with 3 clear stripes



**Style 878**

Standard colour Traffic white RAL 9016, matt, stainless steel handle HOE 740, flush-fitting stainless steel embellishment



**Style 879**

Standard colour Traffic white RAL 9016, matt, design handle G 750 in anodised aluminium E6/ EV 1, matt float design glass with 3 clear stripes



# Matching entrance and garage doors\*



## Style 188

Preferred colour Anthracite grey RAL 7016, stainless steel handle HOE 100, matt float design glass with 3 clear stripes



## Sectional garage door

L-ribbed design 457 in Silkgrain Anthracite grey RAL 7016



## Style 173

Preferred colour Ruby red RAL 3003, matt, stainless steel handle HOE 300, matt Stopsol grey design glass with 3 clear stripes



## Sectional garage door

L-ribbed design 461 in Silkgrain Ruby red RAL 3003

\* The spacings between entrance and garage doors are not flush



# Entrance door and garage door perfectly match each other

The large matching Hörmann programme provides you with aligned entrance door and garage door ribbing options for a matching appearance. The result: No optical offset from the base line. You will see: the beauty of your home is reflected in these small but crucial details.



## Perfectly matched: entrance door styles and sectional garage doors, M or L-ribbed



**ThermoSafe entrance doors:**

- Style 825
- Style 845
- Style 855



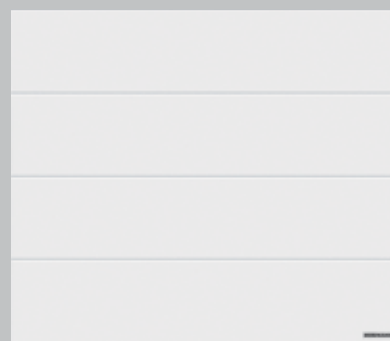
**Sectional garage doors, M-ribbed:**

- with a door height of 2000 mm
- with a door height of 2125 mm
- with a door height of 2250 mm



**ThermoSafe entrance doors:**

- Style 875
- Style 895
- Style 898



**Sectional garage doors, L-ribbed:**

- with a door height of 2000 mm
- with a door height of 2125 mm
- with a door height of 2250 mm



▲ **ThermoSafe style 895** in preferred colour Anthracite grey RAL 7016, matt, with side element, L-ribbed sectional garage door in Silkgrain Anthracite grey RAL 7016

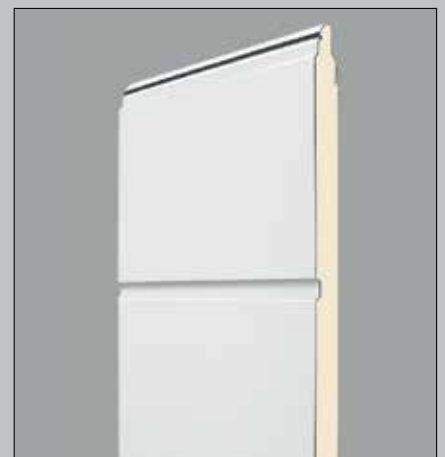
### Matched entrance and garage doors

The cross-section of the entrance and garage door clearly shows the ribbed look of the entrance door is a result of the grooves in the infill. In the garage door, it comes from the ribbing of the individual sections and the section transitions.

After exact on-site measurement, your Hörmann specialist dealer will offer expert advice in choosing the perfect overall look from these entrance door styles.



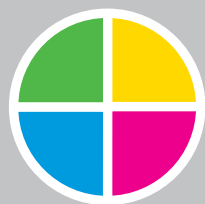
ThermoSafe entrance door cross-section



Sectional garage door cross-section

# Find your favourite colour

At Hörmann, we value individuality and variety. That's why we offer entrance doors in the colour of your choice as a matter of course. For example, you can select your favourite colour from the particularly inexpensive matt Traffic white RAL 9016 and 19 additional preferred colours. Of course, you can also select from over 200 further RAL colours and many neon and pearl-effect colours on request. Your Hörmann dealer is happy to assist you.



**Please note:**

All colours are based on RAL. The colours RAL 9007 and 9006 may differ. Dark colours should not be used for doors that are exposed to the sun.

The colours and surfaces shown are subject to the limitations of the printing process and cannot be regarded as binding. Please consult with your local Hörmann specialised dealer.

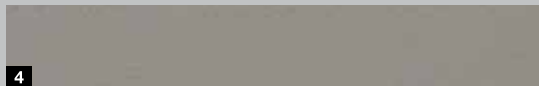
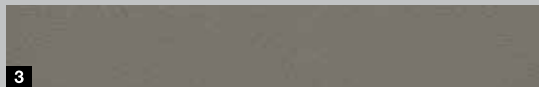
Matt, silk-gloss and high-gloss surfaces



- 1 RAL 9016 Traffic white, high-gloss
- 2 RAL 9006 White aluminium, silk-gloss
- 3 RAL 8028 Terra brown, matt
- 4 RAL 7040 Window grey, matt
- 5 RAL 7035 Light grey, matt
- 6 RAL 7030 Stone grey, matt
- 7 RAL 7016 Anthracite grey, matt
- 8 RAL 7015 Slate grey, matt
- 9 RAL 6009 Fir green, matt
- 10 RAL 6005 Moss green, matt
- 11 RAL 3003 Ruby red, matt



## Textured surfaces



Design your door colour exactly as you wish, inside and outside

### Exterior and interior white

All Hörmann entrance doors in standard Traffic white, RAL 9016, are matt powder-coated on the inside and outside.

### Exterior coloured, interior white

The Hörmann entrance doors in 18 preferred colours (see left) are powder-coated in the preferred colour on the exterior and in matt Traffic white RAL 9016 on the interior as standard.

### Exterior and interior in a colour of your choice

On request you can have your new entrance door colour-coated on both sides; different combinations are also possible, e.g. Ruby red on the exterior and Slate grey on the interior.

- 1 RAL 9007 Grey aluminium, fine structure matt
- 2 RAL 9001 Cream, fine structure matt
- 3 RAL 7039 Quartz grey, fine structure matt
- 4 RAL 7030 Stone grey, fine structure matt
- 5 RAL 7016 Anthracite grey, fine structure matt
- 6 RAL 7015 Slate grey, fine structure matt
- 7 Hörmann colour CH 703 Anthracite, fine structure matt
- 8 Hörmann colour CH 607 Chestnut, fine structure matt

# High quality all-round

## 1 3-way adjustable hinges

The beautifully designed three-way adjustable hinges allow the ThermoSafe entrance door to be variably adjusted. This way, your entrance door is optimally sealed and falls smoothly and securely into its lock.

## Optional concealed hinges

(not shown)

Concealed hinges make for an elegant door appearance on the interior. The hinges are leverage-proof so that the security bolts on the hinge side can be omitted.

## 2 Tamper-proof profile cylinder

The profile cylinder is equipped with an anti-picking system and drill protection. In addition, it offers an emergency and hazard function, i.e. the door lock can still be operated when a key is inserted on the inside. The tamper-proof locking cylinder is certified according to DIN EN 1303 and is delivered with 5 reversible keys.

## Exterior surface-mounted security rose escutcheon

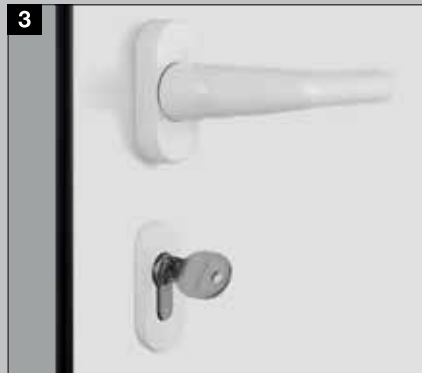
The patented exterior rose escutcheon also protects the profile cylinder against being drilled open and twisted off. Delivered as standard in Traffic white RAL 9016, or in stainless steel for coloured doors.

## 3 Aluminium interior lever

ThermoSafe entrance doors are equipped as standard with the attractive Rondo interior lever, stove-enamelled in white. Optionally, it is also available in stainless steel or RAL to choose as well as the versions Caro or Okto, also in stainless steel.

## 4 Stainless steel lock plates

The lock plates ensure a convenient adjustment of the door, so that your door falls shut optimally and can be closed securely.



**5 5-point security lock H5 and security bolts on the hinge side**

When locking, 3 steel swing bolts with 2 additional bolt locks pivot into the stainless steel lock plates. The swing bolts make it more difficult for the door to be pulled apart or forced open (S5 Automatic for oversizes).

**6 Electronic spyhole (optional)**

Your entrance area is monitored with a wide angle camera. The spyhole is ideal for small children and persons who depend on a wheelchair.

**Integrated overhead door closer (optional, not shown)**

The integrated overhead door closer closes the door and gives your door an elegant view from inside – especially in combination with concealed hinges.

**Opening limiter (optional, not shown)**

The high-quality opening limiter in the metal version restricts the door opening to an opening angle of 105°. It is individually adjustable and features the convenient soft stop function.

**Retractable bottom seal (optional, not shown)**

This optional equipment is the best solution for sealing ThermoSafe entrance doors without threshold rail used for barrier-free entrances.



**Optional frame variants for an individual look**

**7 Broader door frames**

On request, door frames are also available in a width of 110 mm, for a more convenient and attractive connection to full thermal insulation, for example.

**8 Fascia frame Rondo 70**

The rounded frame profile adds a stylish touch to your entrance door, providing it with a particularly harmonious look with its rounded edges.

**9 Fascia frame Caro 70**

This version has an attractive and distinguished look that upgrades the appearance of your door through the frame's depth effect.





## The entrance door that makes you feel welcome

The Thermo65 offers you everything that makes for an excellent entrance door. The solid 65-mm-thick steel door leaf with PU rigid foam infill and the leaf profile on the inside made of composite material as well as the aluminium frame with thermal break keep the cold out. With a  $U_D$ -value of up to approx.  $0.87 \text{ W}/(\text{m}^2 \cdot \text{K})$ , Thermo65 doors feature good thermal insulation. As standard, the doors are equipped with a 5-point security lock, allowing you to feel safe and secure in your home. Most Thermo65 styles are optionally available with RC 2 security equipment to make you feel even more secure in your own four walls.

Choose your favourite of 15 attractive styles and customise it with one of our 16 preferred colours and 5 Decograin decors.



## Construction

- 1 Solid, 65-mm-thick steel door leaf with leaf profile on the inside and thick rebate
- 2 Thermal break and higher stability through the leaf profile made of composite material
- 3 80 mm aluminium frame with thermal break
- 4 Triple sealing

---

Fulfils all requirements of Germany's energy saving regulation

---

Suitable for fitting without thermal bridges

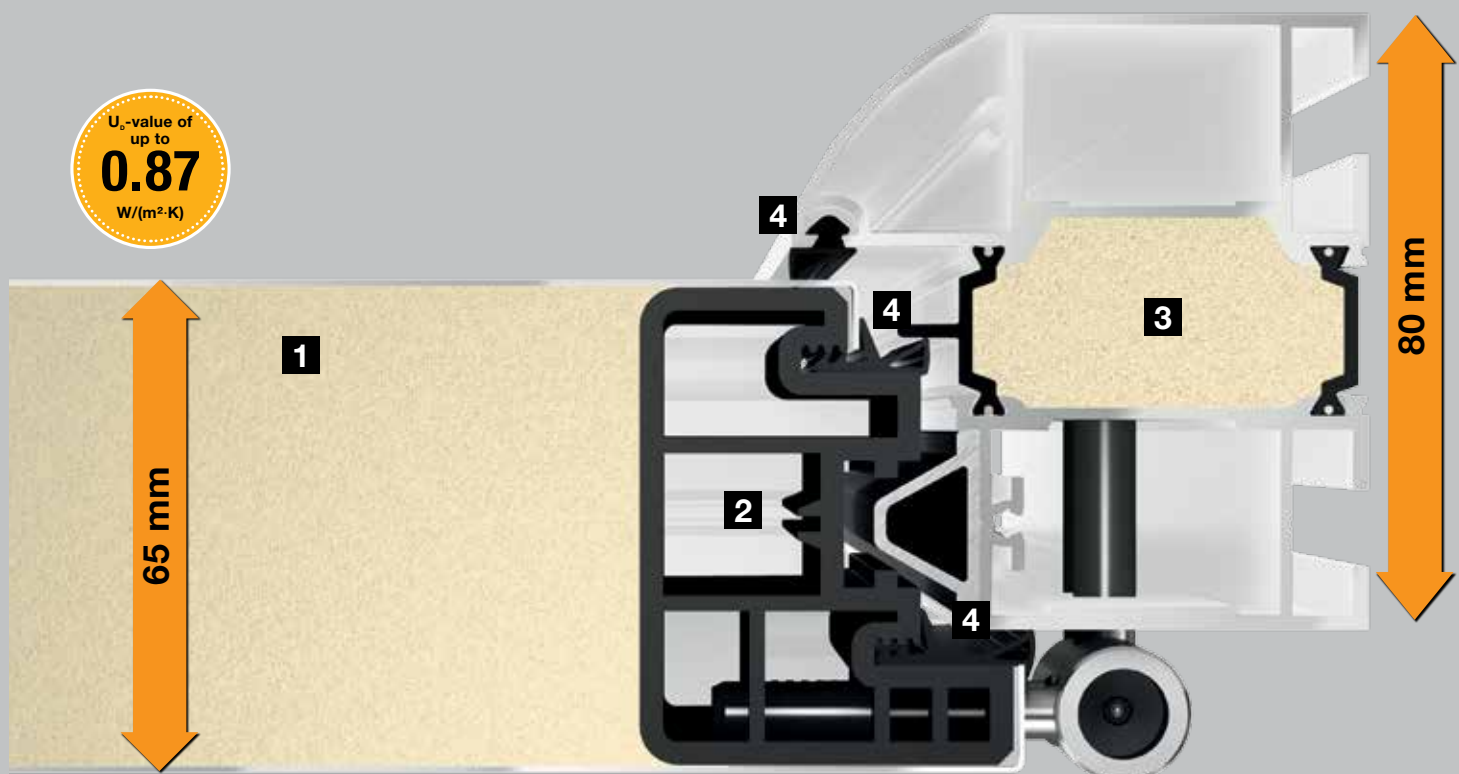
---

$U_D$ -value up to approx.  $0.87 \text{ W}/(\text{m}^2\cdot\text{K})$

---

## Equipment

- 5 Solid door view from the inside, same as room doors
- 6 3-way adjustable guide rollers
- 7 Stainless steel interior lever
- 8 Triple-pane insulated glazing
- 9 Profile cylinder with emergency and hazard function
- 10 5-point security lock



# Interior view





**Style 010**  
Standard colour Traffic white  
RAL 9016, silk matt,  
stainless steel handle  
HB 14-2



**Style 015**  
Standard colour Traffic white  
RAL 9016, silk matt,  
stainless steel handle  
HB 14-2



**Style 515**  
Standard colour Traffic white  
RAL 9016, silk matt,  
stainless steel handle  
HB 14-2



**Style 600S**  
Standard colour Traffic white  
RAL 9016, silk matt,  
stainless steel handle  
HB 38-3, with surface-  
mounted Satinato glazing



**Style 700B**  
Standard colour Traffic white  
RAL 9016, silk matt,  
stainless steel handle  
HB 38-2, sand-blasted  
glazing with clear stripes



**Style 750C**  
Standard colour Traffic white  
RAL 9016, silk matt,  
stainless steel handle  
HB 38-2, sand-blasted  
glazing with clear stripes





**Style 800S**

Standard colour Traffic white  
RAL 9016, silk matt,  
stainless steel handle  
HB 38-2, Satinato glazing



**Style 810E**

Standard colour Traffic white  
RAL 9016, silk matt,  
stainless steel handle  
HB 38-2, sand-blasted  
glazing with clear stripes



**Style 820S**

Standard colour Traffic white  
RAL 9016, silk matt,  
stainless steel handle  
HB 38-2, Satinato glazing



**Style 850B**

Standard colour Traffic white  
RAL 9016, silk matt,  
stainless steel handle  
HB 38-2, sand-blasted  
glazing with clear stripes



**Style 900D**

Standard colour Traffic white  
RAL 9016, silk matt,  
stainless steel handle  
HB 38-2, sand-blasted  
glazing with clear stripes





**Style 100**

Standard colour Traffic white  
RAL 9016, silk matt,  
stainless steel handle  
HB 14-2



**Style 410S**

Standard colour Traffic white  
RAL 9016, silk matt,  
stainless steel handle  
HB 14-2, Satinato glazing



**Style 430E**

Standard colour Traffic white  
RAL 9016, silk matt,  
stainless steel handle  
HB 14-2, sand-blasted  
glazing with clear stripes



**Style 450E**

Standard colour Traffic white  
RAL 9016, silk matt,  
stainless steel handle  
HB 14-2, sand-blasted  
glazing with clear stripes

# Find your favourite colour

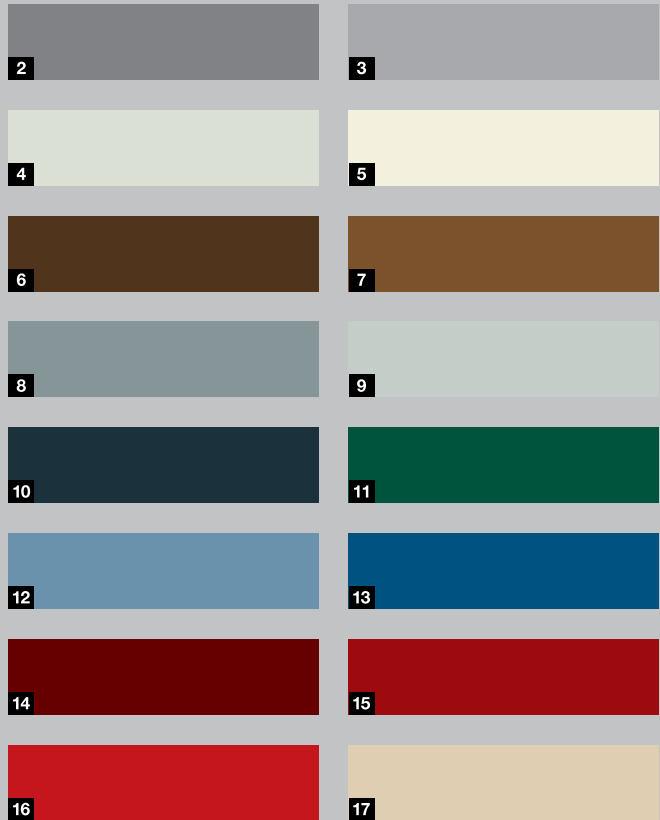
Do you prefer a subtle Window grey or would you like to show your true colours with Ruby red? When choosing a colour for your new Hörmann entrance door, we let your creativity run wild.

Optionally you can order the door leaf and frame in different colours to fit your own individual taste. You can choose between the particularly inexpensive Traffic white RAL 9016 and 16 additional preferred colours. Simply contact your Hörmann dealer.

In low-cost Traffic white as standard



16 preferred colours



- 1 RAL 9016 Traffic white
- 2 RAL 9007 Grey aluminium
- 3 RAL 9006 White aluminium
- 4 RAL 9002 Grey white
- 5 RAL 9001 Cream
- 6 RAL 8028 Terra brown
- 7 RAL 8003 Clay brown
- 8 RAL 7040 Window grey
- 9 RAL 7035 Light grey
- 10 RAL 7016 Anthracite grey
- 11 RAL 6005 Moss green
- 12 RAL 5014 Pigeon blue
- 13 RAL 5010 Gentian blue
- 14 RAL 3004 Purple red
- 15 RAL 3003 Ruby red
- 16 RAL 3000 Flame red
- 17 RAL 1015 Light ivory

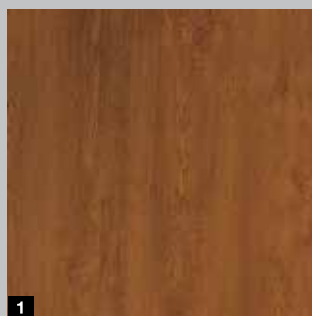
# Elegance and detailed accuracy

Decograin is available on the interior and exterior in four natural-looking timber designs and with an anthracite-coloured decor with a metallic effect. An embossed grain gives it an authentic timber character.

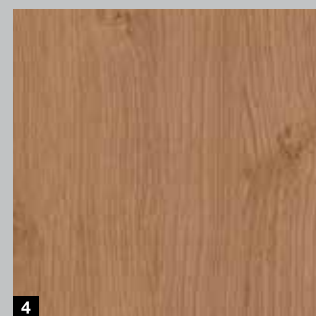
As standard, the door comes with the same decor on the exterior and interior, selected from the Decograin decors Golden Oak, Dark Oak, Night Oak, Winchester Oak and Titan Metallic CH 703.

Optionally you can design the inside of your entrance door to match your internal doors. In this case, all door styles are available with rounded frames in the Decograin decors listed, on the inside in Traffic white RAL 9016 – on request with side elements in the same colour combination. This way, you can enjoy your perfectly matching entrance door and internal doors.

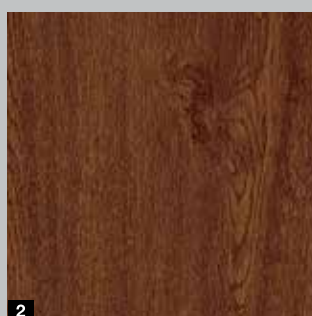
## 5 Decograin decors



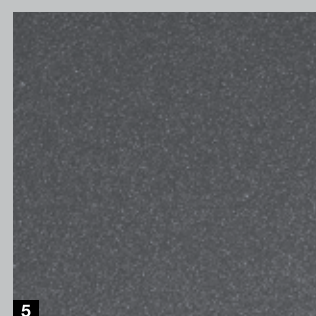
1



4



2



5



3

- 1 Decograin Golden Oak: medium brown, golden yellow oak decor
- 2 Decograin Dark Oak: walnut-coloured oak decor
- 3 Decograin Night Oak: dark, intense oak design
- 4 Decograin Winchester Oak: natural-coloured knotty oak design
- 5 Titan Metallic CH 703: Anthracite with a metallic effect

### Please note

The colours and surface finishes shown are subject to the limitations of the printing process and cannot be regarded as binding. Dark colours should not be used for doors that are exposed to the sun, as an increased material expansion may impair the door's function.

# Harmony in every detail

## 1 Perfectly hung with 3-way adjustable guide rollers

Sturdy, two-part 3-way adjustable hinges with safety pins and stainless steel decorative covers guarantee smooth door function.

## 2 Securing the hinge side

Being able to rest easy in your own home is important, which is why your Thermo65 door is secured additionally on the hinge side with a continuous aluminium security strip, making it practically impossible to force the door open.

## 3 Interior lever

Each door comes with a beautifully shaped stainless steel interior lever and rose escutcheon on the exterior as standard.

## 4 Profile cylinder

Delivered with 5 keys as standard. With emergency and hazard function, i.e. the door lock can still be operated when the key is inserted on the inside.

## 5 5-point security lock

You will feel safe at home: 2 conical swing bolts engage with 2 additional security bolts and 1 lock bolt in the frame's lock plates and pull the door tightly shut. The lock plate on Thermo65 doors is adjustable for an optimal door setting. With a soft-lock latch to quietly close the door. An automatic lock with mechanical self-locking is optionally available for

the Thermo65. When the door falls shut, the bolts automatically extend to reliably and securely lock the entrance door.

## Optional: break-in-resistant security equipment

Depending on your requirements, you can select this increased security for entrance doors, side elements and transom lights with RC 2 features. For further information, please see page 19.

## 6 Frame

The 80 mm aluminium frame with thermal break and PU infill is available in a round-style **6a** or rectangular profile **6b**.



### Automatic lock with mechanical self-locking

When the door falls shut, the bolts automatically extend and securely lock the entrance door.

### Automatic lock with electric motor

Open your entrance door easily and conveniently via multiple-point locking using a hand transmitter or radio finger-scan. There's no longer any danger of forgetting your keys.

### 7 Opening via a radio finger-scan or a hand transmitter

When operating the entrance door via a radio finger-scan\* or hand transmitter, it automatically unlocks via an electric motor. You can then push the door open.

#### Electric strike (optional, not shown)

With the electric strike catch, you can conveniently open your door via a switch inside the house. Alternatively, e.g. during the day, you can also toggle the locking lever so that the entrance door can be opened by a slight push from the outside.

#### Door drip (optional, not shown)

Attractive protection: The door drip in Traffic white RAL 9016 or in a stainless steel look diverts driving rain and is easy to retrofit.

#### Retractable bottom seal

(optional, not shown)

This optional equipment is the best solution for sealing Thermo65 entrance doors without threshold rail used for barrier-free entrances.



Hand transmitter HSE 4 BS black textured surface with black plastic caps



\* Changing fingerprint characteristics in children, adolescents and the elderly can cause malfunctions. For temperature ranges from -20 °C to +80 °C.





## Glass entrance doors for well-lit entrance areas

Our TopComfort glass entrance doors create a bright and cheerful entrance area with solid equipment. The doors are characterised by an 80-mm-thick aluminium door profile and 80-mm aluminium door frame with thermal break and feature good thermal insulation with a  $U_D$ -value up to  $1.3 \text{ W}/(\text{m}^2 \cdot \text{K})$ . The standard 5-point security lock provides the security you expect of an entrance door. This way, you can design an entrance area that is not only tasteful, but also secure.

You can choose between 9 exclusive glass door styles that let in a maximum of natural light. We can supply the frame in one of 19 preferred colours according to your taste. You can personalise the door of your choice with stylish exterior and interior handles and glazings.



## Construction

- 1 Aluminium leaf profile with thermal break, optionally with additional thermal insulation
- 2 80 mm aluminium door frame with thermal break
- 3 Double sealing
- 4 Triple thermal insulation glass with 8 mm safety glass on interior and exterior

---

Fulfils all requirements of Germany's energy saving regulation

---

Suitable for fitting without thermal bridges

---

$U_D$ -value up to approx.  $1.3 \text{ W}/(\text{m}^2\cdot\text{K})$

---



## Equipment

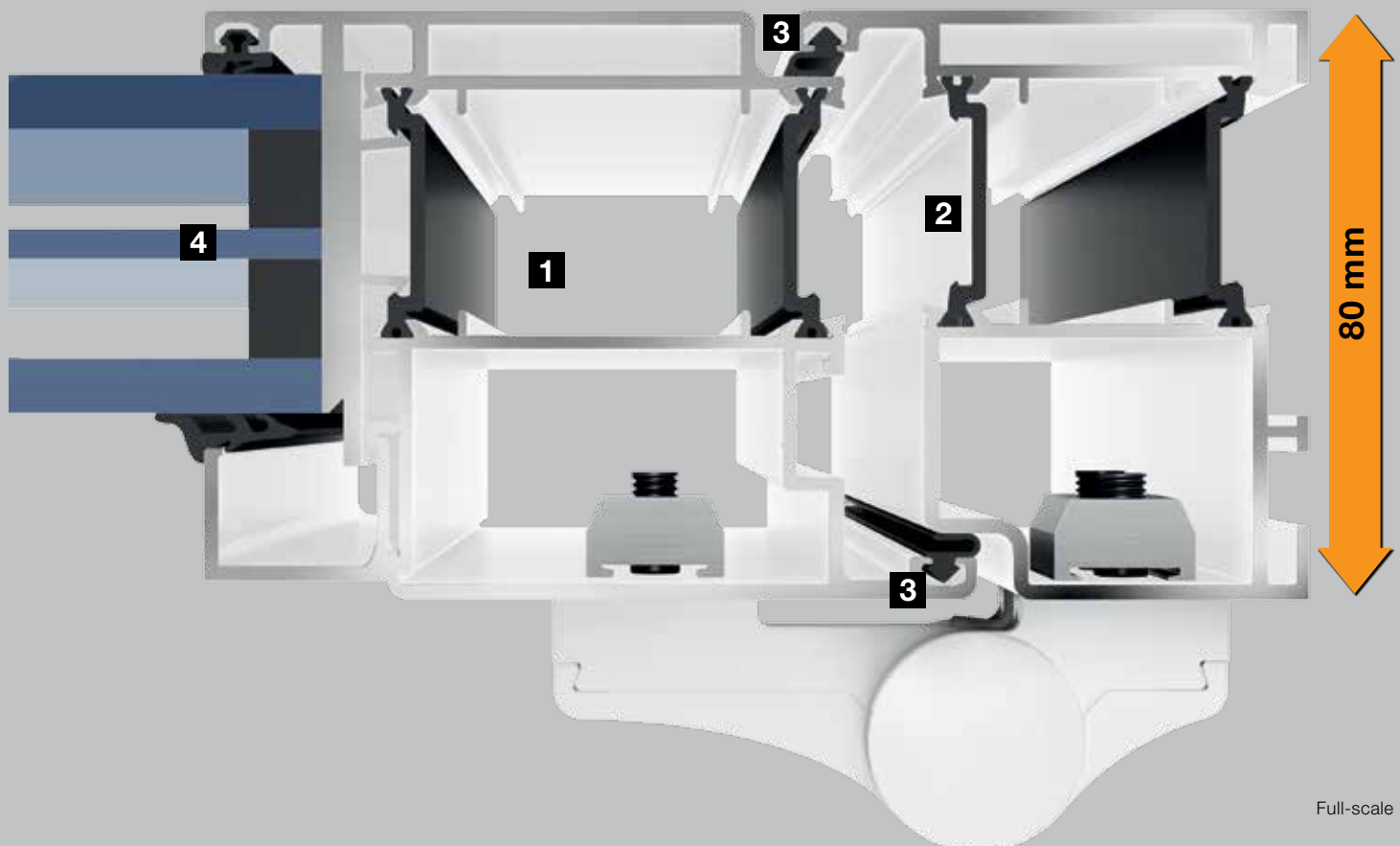
- 5 Square glazing beads, with butt joints
- 6 3-way adjustable hinges
- 7 Aluminium interior lever
- 8 Triple thermal insulation glazing
- 9 Profile cylinder protected against manipulation
- 10 5-point security lock




---

Optional RC 2 security equipment

---



# Interior view

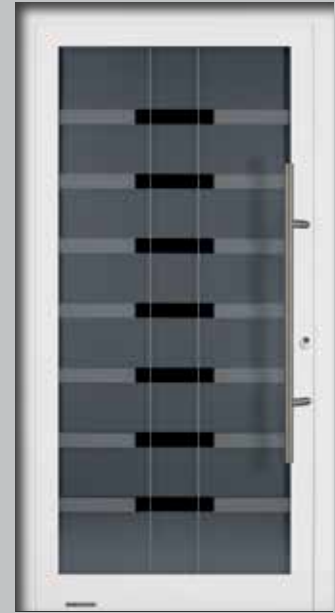




**Style 100**  
Standard colour Traffic white RAL 9016, matt, stainless steel handle 38-1, Mastercarré ornamental glass



**Style 101**  
Standard colour Traffic white RAL 9016, matt, stainless steel handle 38-1, Mastercarré ornamental glass



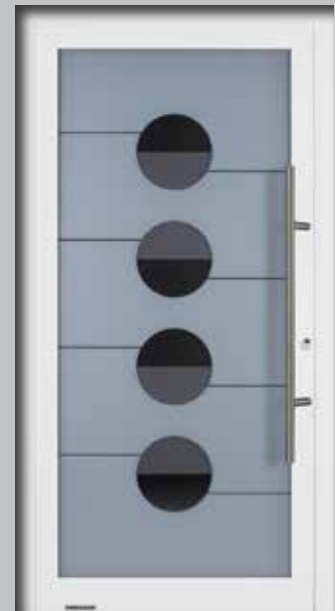
**Style 100 MG 111**  
Standard colour Traffic white RAL 9016, matt, stainless steel handle 38-2, design glass with matt stripes



**Style 100 MG 112**  
Standard colour Traffic white RAL 9016, matt, stainless steel handle 38-2, design glass matt with clear rectangle



**Style 100 MG 113**  
Standard colour Traffic white RAL 9016, matt, standard handle knob 54, design glass with 25 matt stripes



**Style 100 MG 114**  
Standard colour Traffic white RAL 9016, matt, stainless steel handle 38-2, design glass matt with clear circles and stripes



**Style 100 MG 115**

Standard colour Traffic white RAL 9016, matt, stainless steel handle 38-2, design glass matt with rectangles



**Style 100 MG 116**

Standard colour Traffic white RAL 9016, matt, stainless steel handle 38-2, design glass with matt rectangles and crescent



**Style 100 MG 117**

Standard colour Traffic white RAL 9016, matt, stainless steel handle 38-2, design glass matt with 9 clear stripes





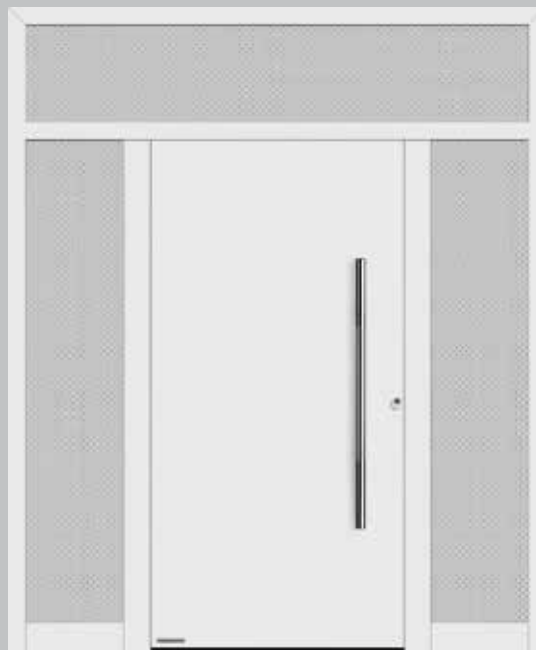
## Doors that make your dreams come true – infuse your home with a sense of well-being

Our optional extras offer you a variety of possibilities to design the door of your dreams according to your individual preferences. For example, you can combine colours, handles and glazings according to your taste. We also offer you a range of security options: You can choose between various automatic locks and convenient operating options that fulfil your needs. Whatever you decide on – at Hörmann, you will find an entrance door to suit both your taste and your home.



## Designing entrances with side elements and transom lights

To create an impressive entrance to your home, you can individually combine each of the illustrated ThermoSafe, Thermo65 and TopComfort entrance doors with side elements and transom lights, or combine each ThermoCarbon entrance door with side elements. An elegant and attractive overall look will please you for a long time to come.



Entrance door with two side elements and transom light



Entrance door with one side element



Entrance door with two side elements, style infills in the side elements (ThermoSafe)



Entrance door with transom light

The figures show ThermoSafe entrance doors with side elements and transom lights in vertical/horizontal profile construction



# Side elements with practical letter box systems

Hörmann can furnish you with the letter box system to suit your taste and the number of flats. Letter box systems and letter drops are available with bell buttons, light switches and intercom mesh, all with high-grade stainless steel covers and with a thermally insulated aluminium panel infill plate for simple mounting without extensive brickworks.



Classic letter box system for 1 flat



Letter box system RSA 2, insulated, for 5 flats

Door version	ThermoCarbon	ThermoSafe	Thermo65	TopComfort
Side elements	●	●	●	●
Side elements with style infills		●		
Transom lights		●	●	●
Letter box systems		●		●

## Custom glazings for side elements and transom lights

Each glass type has a different look depending on colour, structure and finish. That's why Hörmann offers you a wide range of glazings to equip your new entrance door with.

You can match side elements and transom lights to your entrance door according to your wishes with custom glazings or design glass.

Door version	ThermoCarbon	ThermoSafe	Thermo65	TopComfort
1 Float, clear/clear glass	●	●	●	●
2 Float matt/sand-blasted	●	●	●	●
3 Satinato	●	●	●	●
4 Pave white	●	●		●
5 Parsol grey	●	●		●
6 Parsol grey, matt	●	●		●
7 Ornament 504	●	●		●
8 Ornament 553	●	●		●
9 Stopsol grey	●	●		●
10 Stopsol grey, matt	●	●		●
11 Chinchilla	●	●		●
12 Micrograin (Madras basic)	●	●		●
13 Reflo, clear	●	●		●
14 Reflo, matt	●	●		●
15 Silk	●	●		●
16 Mastercarré	●	●		●



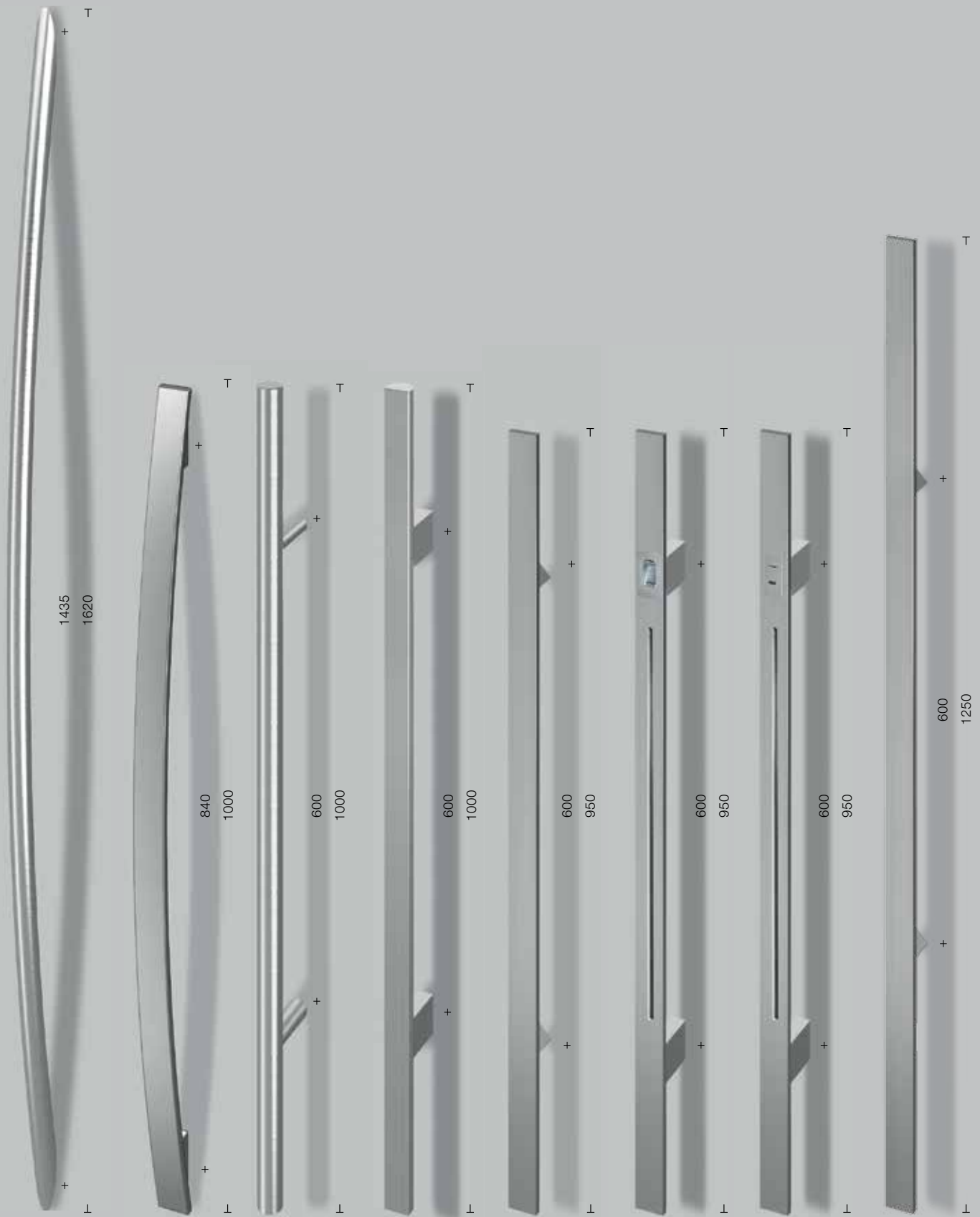
# Tangibly beautiful design

Each Hörmann entrance door is delivered as standard with the handle shown in the product photos.

However, on request, you can equip many of our doors with a customised handle.

Handle	Description	ThermoCarbon	ThermoSafe	Thermo65	TopComfort
1	HOE 200	Brushed stainless steel	●	●	
2	HOE 300	Brushed stainless steel	●	●	
3	HOE 500	Brushed stainless steel	●	●	
4	HOE 501	Brushed stainless steel	●	●	
5	HOE 600	Brushed stainless steel	●	●	
6	HOE 605	Brushed stainless steel, prepared for a code switch		●	
7	HOE 606	Brushed stainless steel, prepared for a finger-scan	●	●	
8	HOE 610	Brushed stainless steel	●	●	
9	HOE 615	Brushed stainless steel	●	●	
10	HOE 620	Brushed stainless steel	●	●	
11	HOE 700	Polished stainless steel with decorative centre part	●	●	
12	HOE 701	Stainless steel with decorative centre part	●	●	
13	HOE 710	Brushed stainless steel	●	●	● (G 710)
14	HOE 740	Brushed stainless steel	●	●	● (G 740)
15	HOE 795	Brushed stainless steel	●	●	
16	HOE 796	Brushed stainless steel	●	●	
17	HOE 800	Polished stainless steel with decorative centre part		●	
18	14-1	Polished stainless steel with decorative centre part		●	●
19	14-2	Brushed stainless steel		●	●
20	38-1	Polished stainless steel with decorative centre part		●	●
21	38-2	Brushed stainless steel		●	●
22	38-3	Brushed stainless steel		●	
23	81-1	Polished brass			●
24	92-2	Brushed stainless steel		●	●
25	94-2	Brushed stainless steel		●	●

+ mm + = axis dimension  
 T mm T = handle length



**1** HOE 200    **2** HOE 300    **3** HOE 500    **4** HOE 501    **5** HOE 600    **6** HOE 605    **7** HOE 606    **8** HOE 610    **85**

All details in mm

# EXTERIOR HANDLES



86 **9** HOE 615



**10** HOE 620



**11** HOE 700



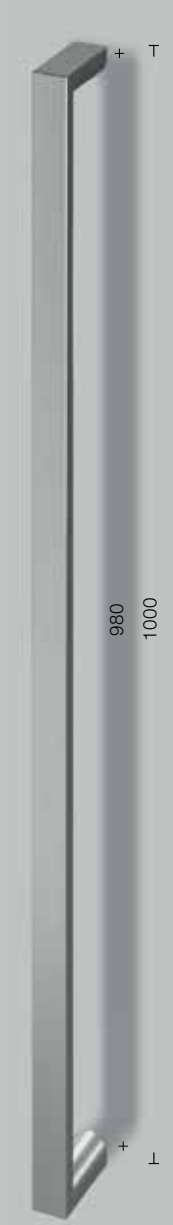
**12** HOE 701



**13** HOE 710

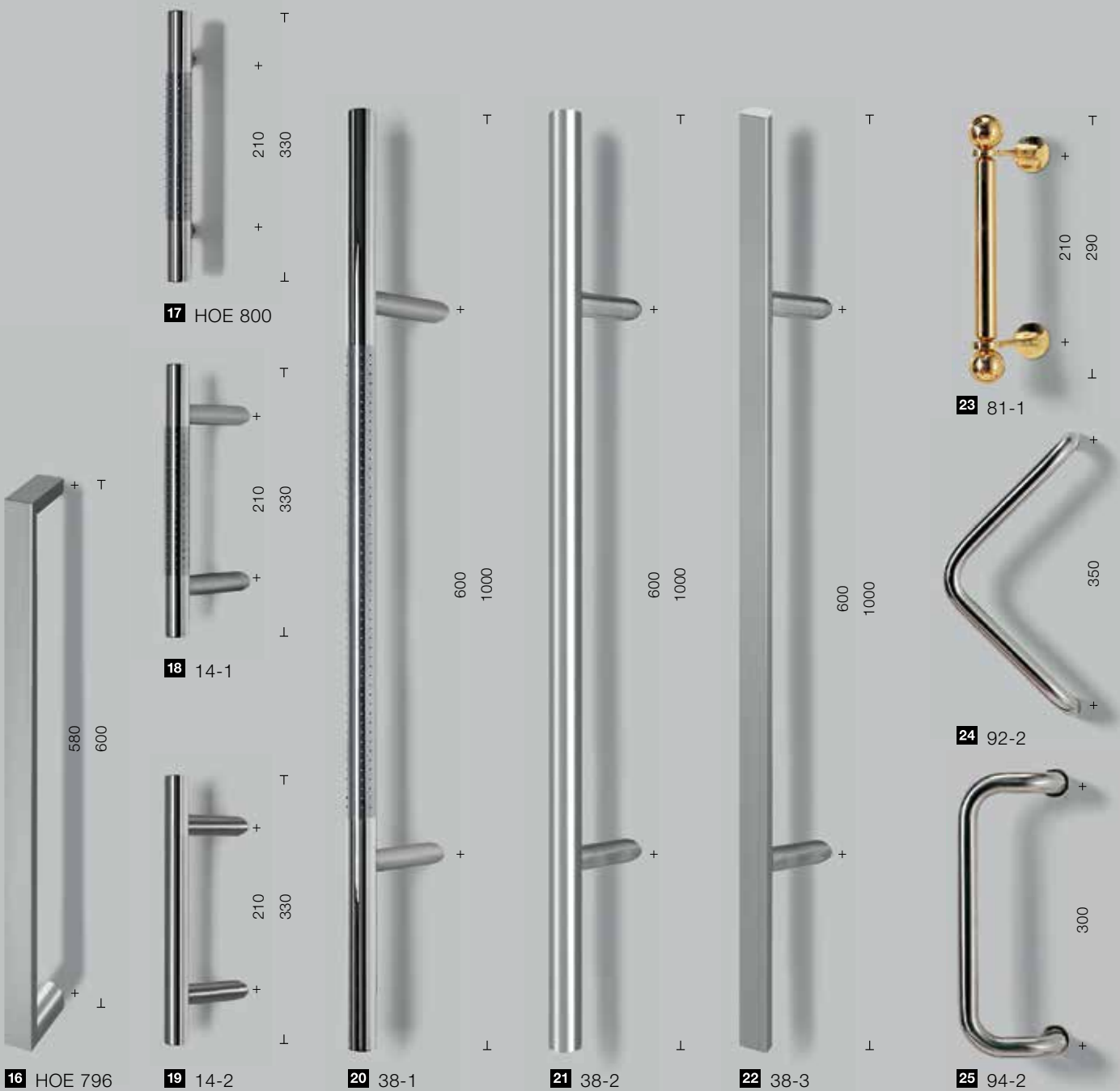


**14** HOE 740



**15** HOE 795

+ mm + = axis dimension  
 ⊥ mm ⊥ = handle length



**16** HOE 796

**19** 14-2

**20** 38-1

**21** 38-2

**22** 38-3

**25** 94-2

# Attractive lever handles

## ThermoSafe and TopComfort doors

are equipped with aluminium interior lever Rondo as standard. This lever is also available in stainless steel or RAL to choose to match the stainless steel interior levers on your internal doors. In addition, the stylish lever handles Caro and Okto are available in stainless steel.

**ThermoCarbon doors** are equipped with stainless steel interior lever Caro as standard.

**Thermo65 entrance doors** are available with stainless steel lever handle D-110 as standard.



Aluminium lever handle Rondo in matt Traffic white, RAL 9016, for ThermoSafe and TopComfort



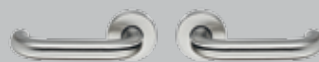
Stainless steel lever handle Caro for ThermoSafe and ThermoCarbon



Stainless steel lever handle Okto for ThermoSafe



Stainless steel lever handle D-110 for Thermo65



Stainless steel lever handle set Type D-110 for Thermo65



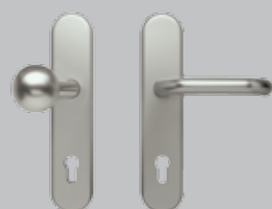
Stainless steel lever handle set Type D-210 for Thermo65



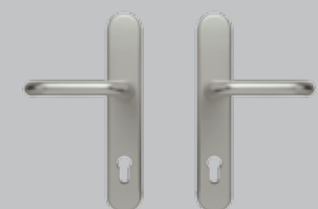
Stainless steel lever handle set Type D-310 for Thermo65



Stainless steel lever handle set Type D-510 for Thermo65



ES 0 / ES 1 lever/knob handle set with knob (shown: ES 1 in stainless steel) for Thermo65



Lever handle set ES 0 / ES 1 (shown ES 0 in stainless steel) for Thermo65



## HANDLE COLOURS: THERMOCARBON

Custom colour combinations for ThermoCarbon entrance door styles 300, 301, 302, 304, 305, 308 and 312.

For these exclusive ThermoCarbon entrance door styles, you have the option to individually match the flush-fitting handle bar and recessed grip to the colour of your entrance door or embellishment.



**Style 300**  
In Traffic white  
RAL 9016, matt,  
handle bar in  
Traffic white  
RAL 9016, matt,  
recessed grip in  
door colour



**Style 300**  
In preferred colour  
Slate grey,  
RAL 7015, matt,  
handle bar in White  
aluminium  
RAL 9006,  
silk-gloss,  
recessed grip in  
the preferred  
colour White  
aluminium  
RAL 9006,  
silk-gloss



**Style 301**  
In Hörmann  
preferred colour  
CH 703 Anthracite,  
fine structure matt,  
aluminium  
embellishment in  
preferred colour  
Ruby red  
RAL 3003, matt,  
handle bar in  
preferred colour  
Ruby red  
RAL 3003, matt,  
and recessed grip  
in door colour

### Optional colour combinations for styles 304, 305, 306, 314



**Style 304**  
In Traffic white  
RAL 9016, matt,  
stainless steel  
handle, recessed  
grip in preferred  
colour White  
aluminium  
RAL 9006,  
silk-gloss



**Style 305**  
In preferred colour  
Slate grey  
RAL 7015, matt,  
aluminium  
embellishment in  
preferred colour  
White aluminium  
RAL 9006,  
silk-gloss, stainless  
steel handle,  
recessed grip in  
preferred colour  
White aluminium  
RAL 9006,  
silk-gloss



**Style 305**  
In Hörmann  
preferred colour  
CH 703 Anthracite,  
fine structure matt,  
aluminium  
embellishment in  
preferred colour  
White aluminium  
RAL 9006,  
silk-gloss, stainless  
steel handle,  
recessed grip in  
door colour

### Optional colour combinations for style 308



**Style 308**  
In Traffic white,  
RAL 9016, matt,  
handle bar and  
recessed grip in  
Traffic white  
RAL 9016, matt



**Style 308**  
In preferred colour  
Slate grey  
RAL 7015, matt,  
handle bar in White  
aluminium  
RAL 9006,  
silk-gloss,  
recessed grip in  
door colour



**Style 308**  
In Hörmann  
preferred colour  
CH 703,  
Anthracite, fine  
structure matt,  
handle bar and  
recessed grip in  
preferred colour  
Ruby red  
RAL 3003, matt

## Our designer handles

A continuous design handle not only rounds off the exclusive appearance of your entrance door, it is also extremely comfortable to operate. As a result, small children can also open the door using this handle. DesignPlus handles offer you elegant embellishments to create a customised door. This lets you adjust both the handle and handle embellishment to match the colour of the door and the rest of your home.

Persuasive elegance in 3 colours and in RAL to choose: design handle G 750 for ThermoCarbon / ThermoSafe



Delivered as standard in E6 / EV 1, with stainless steel end caps



No surcharge for the door surface colour, with stainless steel end caps



Optionally available in preferred colour (shown in Ruby red RAL 3003, matt) or RAL to choose deviating from door surface colour, with stainless steel end caps

### Effective illumination with LED light strip

The design handle G 750 and the DesignPlus handle G 760 are also optionally available with a light strip integrated into the handle. This particularly emphasises your ThermoSafe entrance door at night.



## HANDLE COLOURS: DESIGN HANDLES G760

Exclusive design to suit your taste: DesignPlus handle G 760 for ThermoCarbon / ThermoSafe



Handle bar in anodised aluminium E6 / EV 1 as standard, with stainless steel end caps (shown: handle embellishment in Hörmann colour CH 703, matt textured Anthracite)



Handle bar in the door surface colour at no surcharge, with stainless steel end caps (shown: handle embellishment in Hörmann colour CH 703, matt textured Anthracite)



Handle bar optionally in preferred colour (shown: Ruby red RAL 3003) or RAL to choose deviating from the door surface colour, with stainless steel end caps (shown: handle embellishment in Hörmann colour CH 703, matt textured Anthracite)



Handle embellishment in anodised aluminium E6 / EV 1 as standard (handle bar in anodised aluminium E6 / EV 1)



Handle embellishment in door surface colour at no surcharge (shown: handle bar in anodised aluminium E6 / EV 1)



Handle embellishment optionally in preferred colour or RAL to choose deviating from the door surface colour (shown: handle bar in anodised aluminium E6 / EV 1)



Handle embellishment optionally in five Decograin decors (shown: handle bar in anodised aluminium E6 / EV 1)

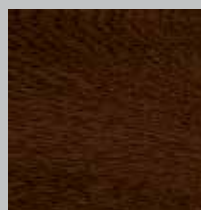
Handle embellishments are also available in Decograin timber designs



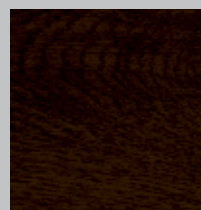
**Decograin Light Oak:**  
Light, warm oak design



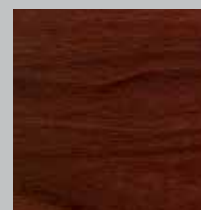
**Decograin Golden Oak:**  
Medium-brown, golden yellow oak design



**Decograin Dark Oak:**  
Walnut-coloured oak design



**Decograin Night Oak:**  
Dark, intense oak design



**Decograin Rosewood:**  
Mahogany-coloured timber design

## Securing excellent properties

Fingerprint, code or radio – Hörmann offers automatic locks for more security and convenient operation. ThermoSafe entrance doors are optionally available at no surcharge with the S5 automatic lock that automatically and securely locks your entrance door at four different points as soon as the door falls shut. You can also equip your ThermoCarbon entrance door with the 7-point S7 automatic lock at no surcharge. You may, of course, also continue to use a key to lock and unlock your door.



## ThermoCarbon

### S7 automatic lock with 7-point locking

All ThermoCarbon entrance doors can be **optionally** equipped with a latch catch lock with 6 bolts, which automatically extend when the door is closed (**at no extra cost**). In addition, the door can also be secured via the lock with another bolt.

### S7 Comfort Connect automatic lock

The S7 Comfort Connect automatic lock also automatically closes your door via a latch catch lock. Thanks to an integrated electric motor, you can also operate your ThermoCarbon entrance door conveniently via finger-scan, code switch or radio. You can see the various options on the following pages. Data transmission is wireless thanks to the innovative **HOE Connect** contact strip. If your building has a house intercom, you can connect the S7 Comfort Connect to it and equip the lock with a button.

## ThermoSafe

### S5 automatic lock with 5-point locking

The latch catch lock with mechanical self-locking is **optionally available at no surcharge** for your ThermoSafe entrance door: when the door falls shut, the 4 latch catches automatically extend and securely lock the entrance door. In addition, the door can also be secured via the lock with another bolt.

### S5 Comfort automatic lock

The S5 Comfort automatic lock locks your entrance door automatically with latch catches. An additional electric motor enables unlocking of the door via external control elements, such as a finger-scan, code switch or hand transmitter (see the following pages). In this process, the power and data signals are transmitted from door frame to door leaf via a cable in the door rebate. S5 Comfort is prepared for connection to a button or an existing house intercom and is ideally suited for blocks of flats. This way, you can conveniently open your entrance door at the press of a button, for example from an upper storey.



S5/S7 Comfort – open the door at the push of a button



Extremely practical: wireless data transfer with HOE Connect

# Convenient operation for young and old alike

## S5 / S7 Scan automatic lock

Open your entrance door with your fingerprint. The finger-scan\* recognises up to 100 fingerprints and can be easily taught in without a computer.

## S5 / S7 Code automatic lock

Simply entering your personal security code opens your entrance door from outside.



S5 / S7 Scan – door is opened by fingerprint – fitting in the door leaf



S5 / S7 Code – door is opened by entering a code – fitted in the door leaf



Finger-scan in the door handle



Elegant code switch with touch-sensitive touch surface (optional for ThermoSafe entrance doors)



Code switch – fitting in the door handle

\* Changing fingerprint characteristics in children, adolescents and the elderly can cause malfunctions. For temperature ranges from  $-20\text{ }^{\circ}\text{C}$  to  $+80\text{ }^{\circ}\text{C}$ .

## BiSecur

### S5 / S7 Smart automatic lock

You can conveniently open your entrance door with an optional hand transmitter or radio switch. The extremely safe radio system ensures that no unauthorised person can copy your radio signal. Another advantage is that you can use the same hand transmitter to operate your Hörmann garage door or entrance gate. The S5 / S7 Smart remote control can also be installed in the S5 / S7 Scan and S5 Code convenience packages. Starting now, you can also operate and control ThermoSafe and ThermoCarbon entrance doors with the practical BiSecur app. This allows you to query the status of your door at any time and place.



S5 / S7 Radio – door opening using BiSecur radio

### Door operator ECTurn for barrier-free entrances

ThermoSafe and ThermoCarbon entrance doors can now be optionally equipped with the ECTurn. The opening aid is integrated elegantly into the door leaf and frame or available as a surface-mounted variant. With the automatic lock and ECTurn, you can automatically open and close your door. The opening aid has “low energy” operation, meaning that no other safety devices (sensors) are required. The force of the ECTurn is adapted to the leaf, minimising potential hazards for persons.



Convenient opening with the ECTurn door operator. The opening aid is also available elegantly integrated into the door leaf and frame.



Select your hand transmitter or radio switch from our broad accessories programme. More information can be found in the Garage Door and Entrance Gate Operators brochure.



With the BiSecur app, you can check whether your entrance door is open or closed.

# DIMENSIONS AND FITTING DATA

## ThermoCarbon entrance door dimensions

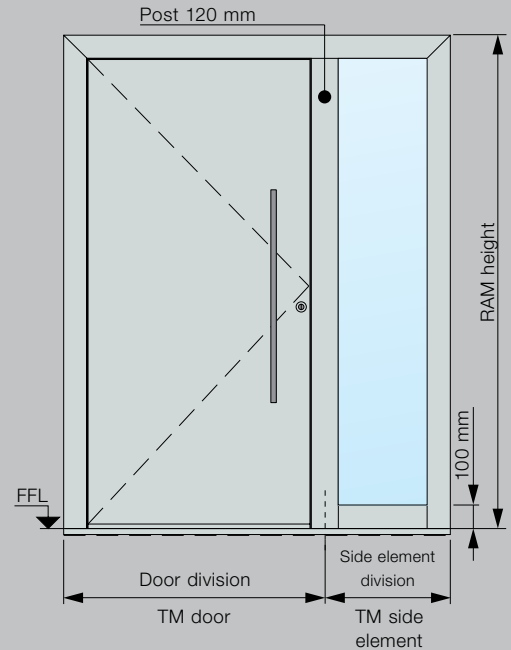
Version	Overall frame dimension (ordering size)	Structural opening	Clear frame dimensions
Standard	Max. 1340 × 2350	Max. 1360 × 2360	Max. 1140 × 2230
XXL	Max. 1340 × 3000	Max. 1360 × 3010	Max. 1140 × 2880

## ThermoCarbon side element dimensions

Vertical profile construction	Side element height	TM side element width	TM entrance door width
1-sided	Max. 3000	300 – 1600	Max. 1300
2-sided	Max. 3000	300 – 1600	Max. 1260

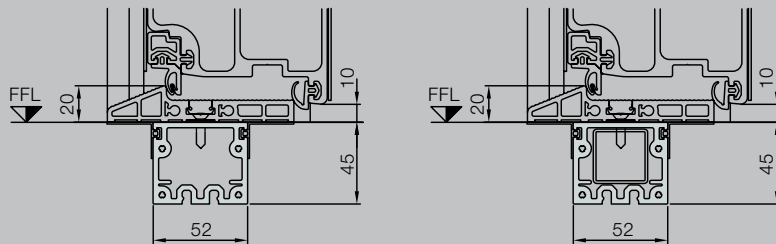
Maximum load in vertical profile construction: 2700 × 5000, or 3000 × 2700

Coupling construction	Side element height	TM side element width	TM entrance door width
1/2-sided	Max. 3000	340 – 1600	1340



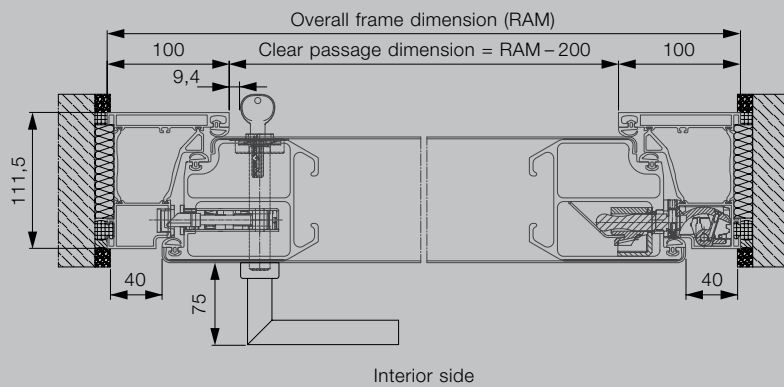
## ThermoCarbon

### Bottom spacer profile / transport protection

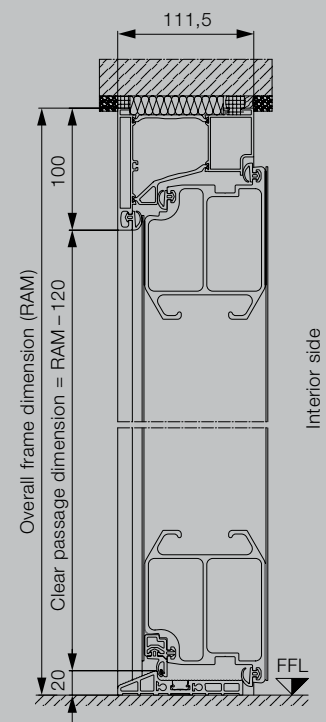


For vertical profile constructions with inserted, continuous tubular supports (shown on right).

### Horizontal view of door



### Vertical view of door



All dimensions in mm



## ThermoSafe entrance door dimensions

70 mm frame version	Overall frame dimension* (ordering size)	Structural opening*	Clear frame dimensions
Standard	Max. 1250 × 2250	Max. 1270 × 2260	Max. 1110 × 2180
Oversize	Max. 1250 × 2350	Max. 1270 × 2360	Max. 1110 × 2280
XXL	Max. 1250 × 2500	Max. 1270 × 2510	Max. 1110 × 2430

## ThermoSafe side element dimensions

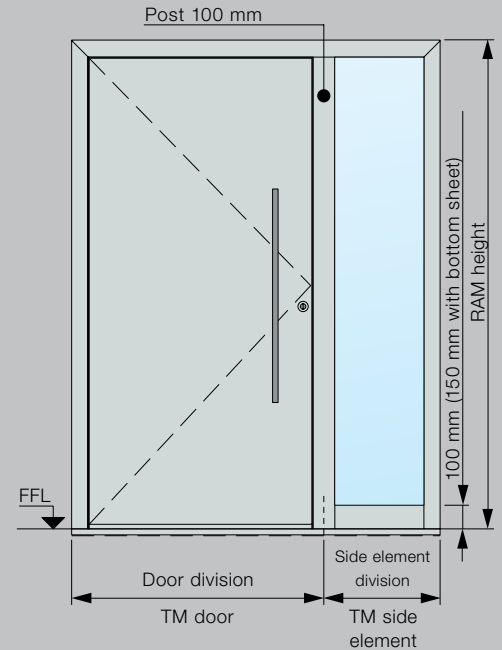
Vertical profile construction	Side element height*	TM side element width*	TM entrance door width*
1-sided	Max. 3000	260 – 1600	Max. 1230
2-sided	Max. 3000	260 – 1600	Max. 1210

Coupling construction	Side element height*	TM side element width*	TM entrance door width*
1/2-sided	Max. 3000	300 – 2500**	1250

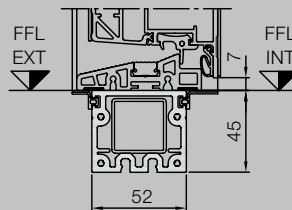
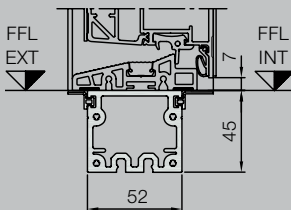
\* For 110 mm frames + 40 mm

\*\*With Reflo or Micrograin glazing, maximum load in vertical profile construction: 2700 × 5000, or 3000 × 2700



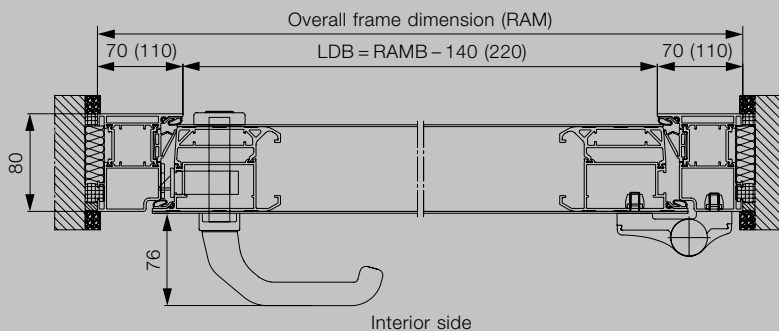
## ThermoSafe

### Bottom spacer profile / transport protection

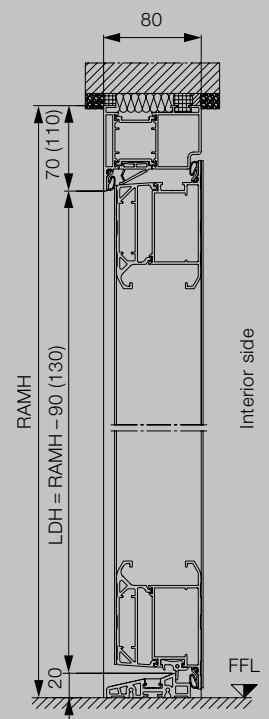


For vertical profile constructions with inserted, continuous tubular supports (shown on right).

### Horizontal view of door



### Vertical view of door



# DIMENSIONS AND FITTING DATA

## Standard sizes Thermo65

Overall frame dimension (ordering size)	Structural opening	Clear frame dimensions
1000 × 2100	1020 × 2110	850 × 2005
1100 × 2100	1120 × 2110	950 × 2005

## Thermo65 special sizes

Styles	Overall frame dimension (ordering size)
010, 700, 750, 800, 810, 900	700 – 1250 × 1875 – 2250
015, 025, 515	875 – 1250 × 1875 – 2250
100, 410, 430, 450	875 – 1100 × 1875 – 2186
820, 850, 900	800 – 1250 × 1875 – 2250

## Thermo65 side element standard sizes

Overall frame dimension (ordering size) glass infill
400 × 2100

## Thermo65 side element special sizes

Overall frame dimension (ordering size) glass infill	Panel infill (style 100)
400 × 2100	450 × 1990 – 2186

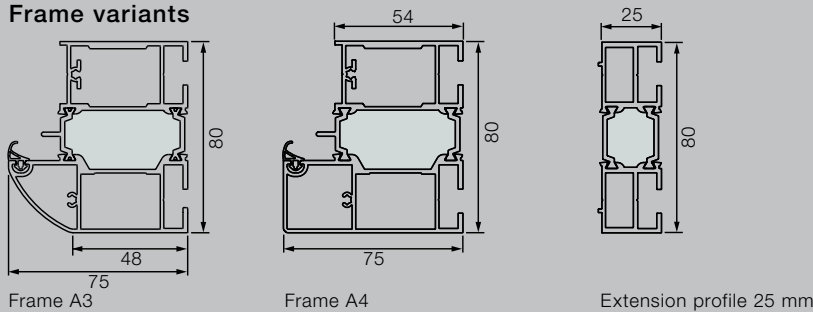
## Thermo65 transom light special sizes

Overall frame dimension (ordering size) glass infill
875 – 2250 × 300 – 500

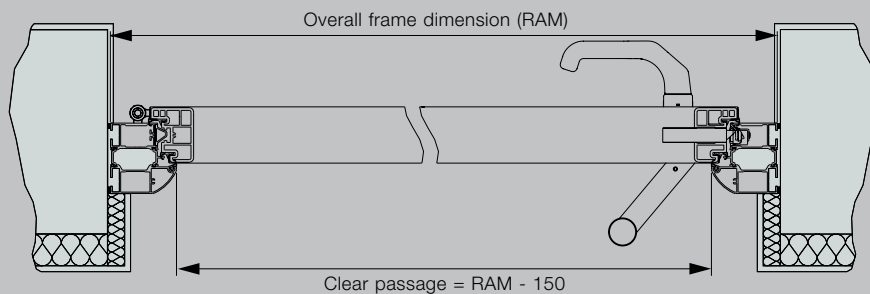
\* Transom light not possible from a width of 500 mm. Door sets with side elements do not contribute to the static equilibrium, which must be guaranteed by the building structure.

## Thermo65

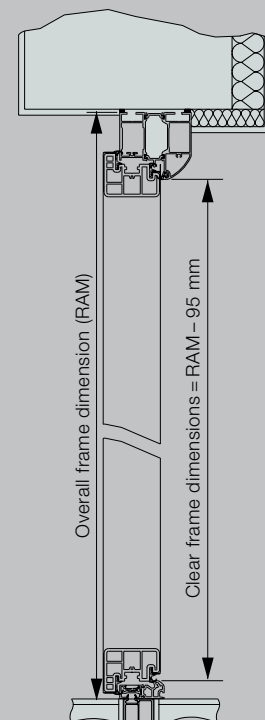
### Frame variants



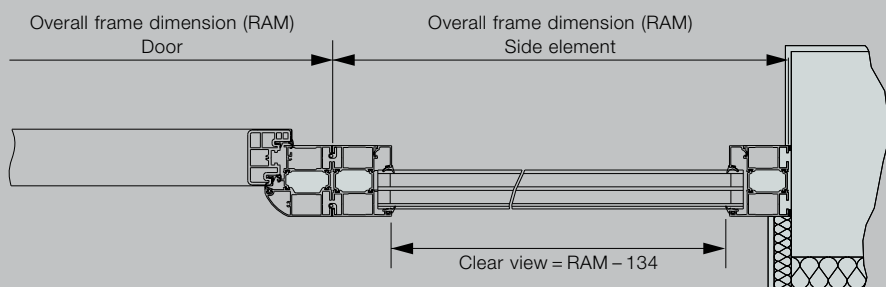
### Horizontal view of door



### Vertical view of door



### Horizontal view of side element



All dimensions in mm

## TopComfort entrance door sizes

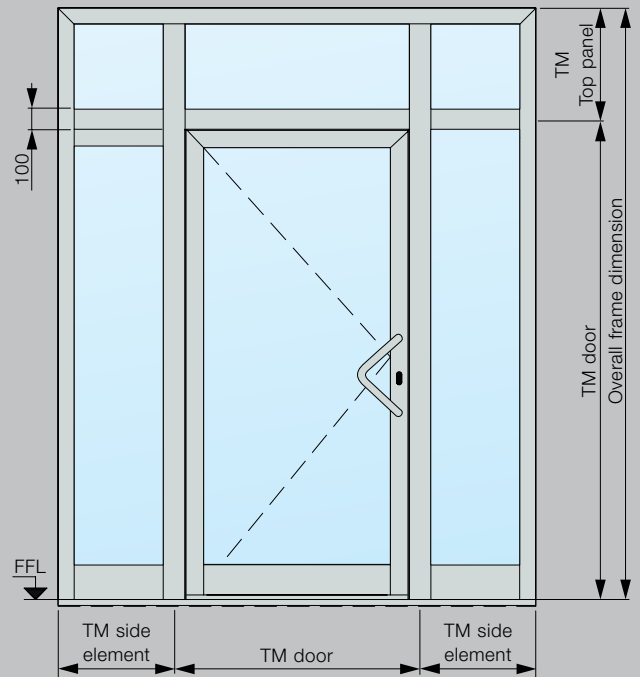
70 mm frame version	Overall frame dimension* (ordering size)	Structural opening*	Clear frame dimensions
Standard	Max. 1300 x 2500	Max. 1270 x 2510	Max. 1160 x 2430

## TopComfort side element sizes

Vertical profile construction	Side element height*	TM side element width*	TM entrance door width*
1-sided	Max. 3000	260 – 1600	Max. 1230
2-sided	Max. 3000	260 – 1600	Max. 1210

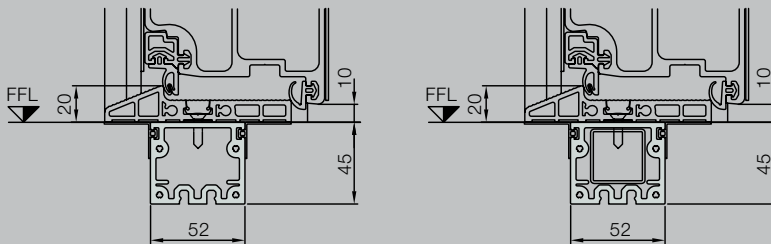
Coupling construction	Side element height*	TM side element width*	TM entrance door width*
1/2-sided	Max. 3000	300 – 1600	1250

Maximum load in vertical profile construction: 2700 x 5000, or 3000 x 2700



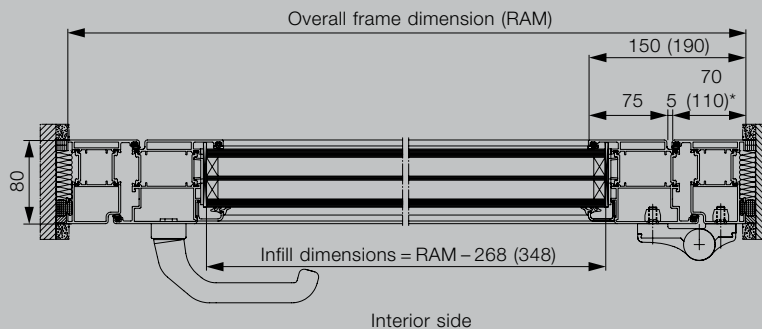
## TopComfort

### Bottom spacer profile



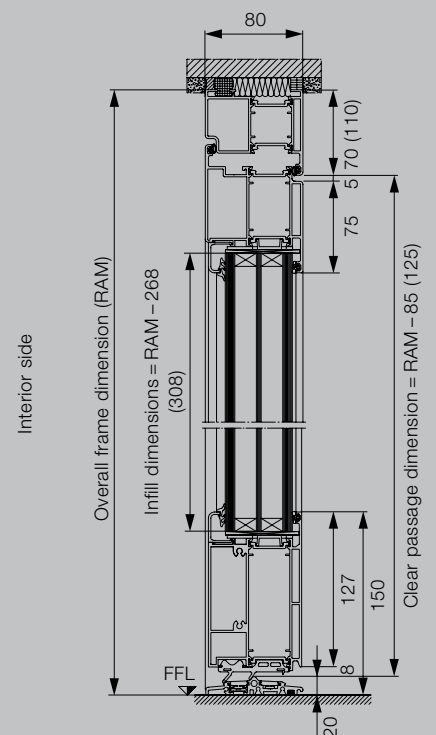
For vertical profile constructions with inserted, continuous tubular supports (shown on right).

### Horizontal view of door



\* Optional frame width

### Vertical view of door



# Hörmann: Quality without Compromise



Hörmann KG Amshausen, Germany



Hörmann KG Antriebstechnik, Germany



Hörmann KG Brandis, Germany



Hörmann KG Brockhagen, Germany



Hörmann KG Dissen, Germany



Hörmann KG Eckelhausen, Germany



Hörmann KG Freisen, Germany



Hörmann KG Ichttershausen, Germany



Hörmann KG Werne, Germany



Hörmann Alkmaar B.V., Netherlands



Hörmann Legnica Sp. z o.o., Poland



Hörmann Beijing, China



Hörmann Tianjin, China



Hörmann LLC, Montgomery IL, USA



Hörmann Flexon LLC, Burgettstown PA, USA



Shakti Hörmann Ltd., India

Hörmann is the only manufacturer worldwide that offers you a complete range of all major building products from one source. We manufacture in highly-specialised factories using the latest production technologies. The close-meshed network of sales and service companies throughout Europe, and activities in the USA and Asia, make Hörmann your strong partner for first-class building products, offering “Quality without Compromise”.

**GARAGE DOORS**  
**OPERATORS**  
**INDUSTRIAL DOORS**  
**LOADING EQUIPMENT**  
**HINGED DOORS**  
**DOOR FRAMES**